



FEATURES:

- Surface mounted LED downlight with adjustable angle bracket.

Body

- Made of die-cast aluminium, Uv-stabilized, electro powder coated
- White, Black and Silver finish.

Diffuser

- Transparent glass

Reflector

- Anodized aluminium in white, black, silver and gold finish.

Others

- ◆ Aluminium structured heat sink
- ◆ High efficient COB LED chip by CREE
- ◆ Heat resistant and solid conduct wiring
- ◆ Ideal for Office, Public areas
- ◆ European standard of EN 60598

Available: 3000K 3500K 4000K 4500K 5000 - 5500K 6000 - 6500K



BFL5152R-1



BFL5152S-1

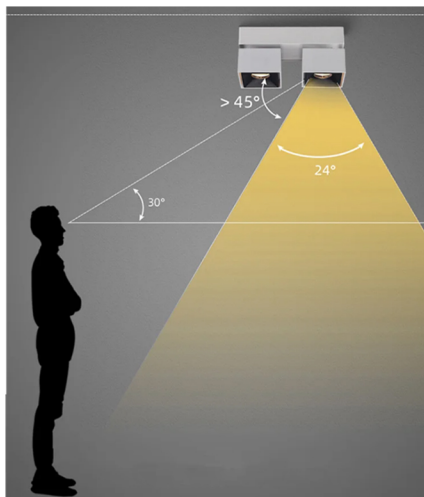
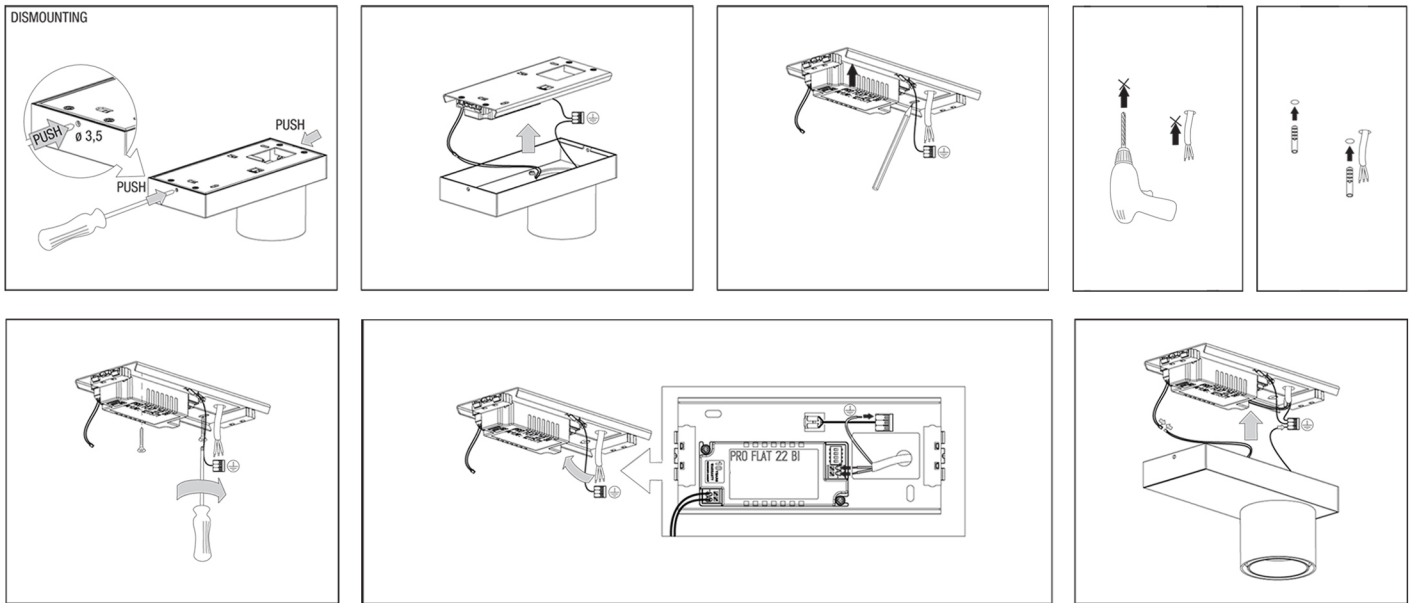


Model No.	BFL5152R-1	BFL5152R-2	BFL5152R-3A	BFL5152R-3B	BFL5152S-4
Power	1x10W LED	2x10W LED	3x10W LED	3x10W LED	4x10W LED
LED Type	COB, CREE	COB, CREE	COB, CREE	COB, CREE	COB, CREE
Dimension	170x85x88mm	220x85x88mm	355x85x88mm	220x220x88mm	220x220x88mm
Voltage	AC85 - 265V / 50-60Hz	AC85 - 265V / 50-60Hz	AC85 - 265V / 50-60Hz	AC85 - 265V / 50-60Hz	AC85 - 265V / 50-60Hz
Power Factor	>0.90	>0.90	>0.90	>0.90	>0.90
Color Temp.	3000K - 6000K	3000K - 6000K	3000K - 6000K	3000K - 6000K	3000K - 6000K
CRI	≥90	≥90	≥90	≥90	≥90
Luminous Flux	100LM/W	100LM/W	100LM/W	100LM/W	100LM/W
Temp. in Working	-20° C +50°C	-20° C +50°C	-20° C +50°C	-20° C +50°C	-20° C +50°C
Beam Angle	15° / 24° / 36°	15° / 24° / 36°	15° / 24° / 36°	15° / 24° / 36°	15° / 24° / 36°
Driver	TRIAC/0-10V/PWM/Dali Dimmable (Order code = / Dali Dim / PWM Dim)				
Life Span	50000Hrs				

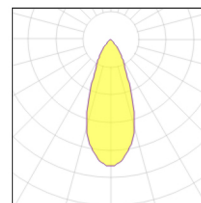


Model No.	BFL5152S-1A	BFL5152S-1B	BFL5152S-2	BFL5152S-3	BFL5152S-4
Power	1x10W LED	1x10W LED	2x10W LED	3x10W LED	4x10W LED
LED Type	COB, CREE	COB, CREE	COB, CREE	COB, CREE	COB, CREE
Dimension	85x85x88mm	170x85x88mm	220x85x88mm	355x85x88mm	220x220x88mm
Voltage	AC85 - 265V / 50-60Hz	AC85 - 265V / 50-60Hz	AC85 - 265V / 50-60Hz	AC85 - 265V / 50-60Hz	AC85 - 265V / 50-60Hz
Power Factor	>0.90	>0.90	>0.90	>0.90	>0.90
Color Temp.	3000K - 6000K	3000K - 6000K	3000K - 6000K	3000K - 6000K	3000K - 6000K
CRI	≥90	≥90	≥90	≥90	≥90
Luminous Flux	100LM/W	100LM/W	100LM/W	100LM/W	100LM/W
Temp. in Working	-20° C +50°C	-20° C +50°C	-20° C +50°C	-20° C +50°C	-20° C +50°C
Beam Angle	15° / 24° / 36°	15° / 24° / 36°	15° / 24° / 36°	15° / 24° / 36°	15° / 24° / 36°
Driver	TRIAC/0-10V/PWM/Dali Dimmable (Order code = / Dali Dim / PWM Dim)				
Life Span	50000Hrs				

INSTALLATION



Photometric Data



Lamp type	LED
Nominal lamp power	10.0 W
Total flux	1000 lm
Luminous efficacy	108 lm/W
CCT	3000 K
CRI	90
LOR	100%
Total power	10.0 W



3000K



4000K



6000K