



FEATURES:

- Recessed mounted waterproof LED downlight
- COB LED chip by CITIZEN

Body

- Made of die-cast aluminium with polyester powder coated.
- Aluminium structured heat sink
- White, Silver, Black finish

Diffuser

- Tempered glass, thermal shock resistant

Reflector

- Anodized aluminium in satin, White & Black finish

Others

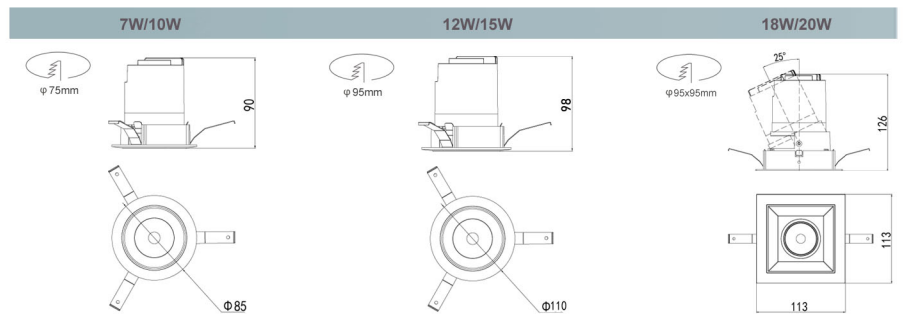
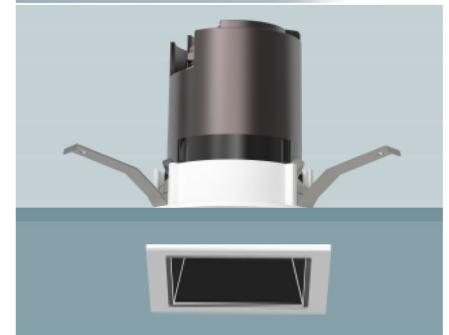
- ◆ Back adjustable housing for asymmetric light distribution
- ◆ High efficient COB LED chip
- ◆ Dimmable Dalli / TRIAC 0 - 10V Available on request
- ◆ Heat resistant and solid conduct wiring
- ◆ Ideal for interior lighting
- ◆ European standard of EN 60598



TMYX95-1R



TMYX95-1S



| Model No. | TMYX95-1R | TMYX95-1S | TMYX95-1R | TMYX95-1R | TMYX95-1S | TMYX95-1S |
|------------------|--------------------|--------------------|--------------------|--------------------|--------------------|--------------------|
| Power | 7/10W LED | 7/10W LED | 12/15W LED | 18/20W LED | 12/15W LED | 18/20W LED |
| LED Type | COB | COB | COB | COB | COB | COB |
| Dimension | Dia: 85x85x90mm | Dia: 99x99x126mm | Dia: 110x110x98mm | Dia: 110x110x112mm | Dia: 113x113x118mm | Dia: 113x113x126mm |
| Voltage | AC200V-240V | AC200V-240V | AC200V-240V | AC200V-240V | AC200V-240V | AC200V-240V |
| Power Factor | >0.90 | >0.90 | >0.90 | >0.90 | >0.90 | >0.90 |
| Color Temp. | 2700K - 6500K | 2700K - 6500K | 2700K - 6500K | 2700K - 6500K | 2700K - 6500K | 2700K - 6500K |
| CRI | ≥80 | ≥80 | ≥80 | ≥80 | ≥80 | ≥80 |
| Luminous Flux | 110LM/W | 110LM/W | 110LM/W | 110LM/W | 110LM/W | 110LM/W |
| Beam Angle | 15 / 24 / 38 / 50° | 15 / 24 / 38 / 50° | 15 / 24 / 38 / 50° | 15 / 24 / 38 / 50° | 15 / 24 / 38 / 50° | 15 / 24 / 38 / 50° |
| Temp. in Working | -30°C +50°C | -30°C +50°C | -30°C +50°C | -30°C +50°C | -30°C +50°C | -30°C +50°C |
| Protection | IP65 | IP65 | IP65 | IP65 | IP65 | IP65 |
| Drive | Tridonic | Tridonic | Tridonic | Tridonic | Tridonic | Tridonic |
| Life Span | 50000Hrs | | | | | |