

Description

- Heavy duty LED Projector
- Made of extruded aluminium housing with fiber PC back cover
- Powder coated surface coating.
- Integrative Lens, different angles for wide uses

Features

- Aluminium heat sink for better heat dissipation
- Multi angle adjustable bracket
- High intensity lighting LED chip - Osram, Samsung
- High transmittance PC lens
- External Driver for easy maintenance
- Stainless steel cable gland

Diffuser

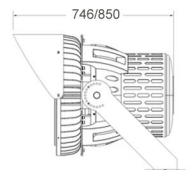
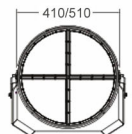
- Tempered safety glass, thermal shock resistant

Others

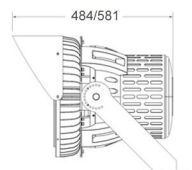
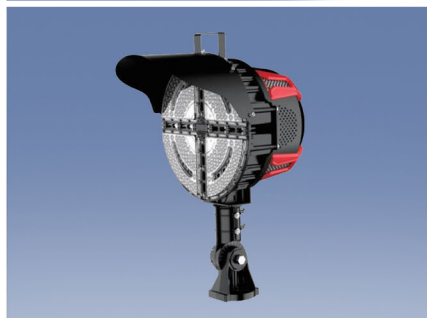
- ◆ High Corrosion resistant capability
- ◆ CHIP: 3535 / SMD 5050
- ◆ Dimmable Dalli / TRIAC 0 - 10V Available on request
- ◆ Working Temperature: 40~50°C
- ◆ Ideal for external playground, stadium lighting
- ◆ European standard of EN 60598



BRG13-P1



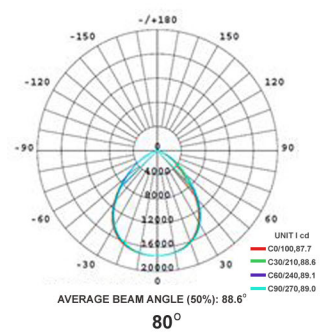
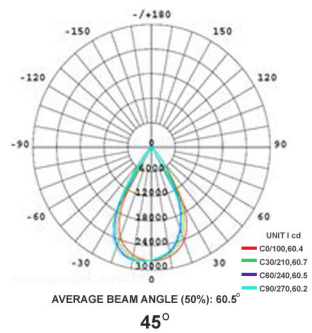
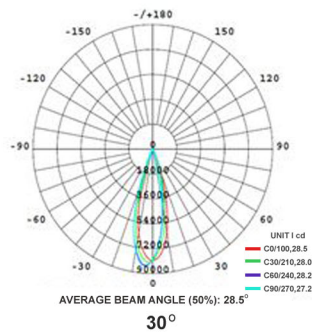
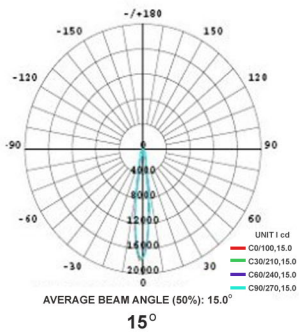
BRG13-P2



Model No.	BRG13-P1-300	BRG13-P1-400	BRG13-P1-500	BRG13-P1-600	BRG13-P1-700	BRG13-P1-800	BRG13-P1-1000	BRG13-P1-1200
Power	300W LED	400W LED	500W LED	600W LED	700W LED	800W LED	1000W LED	1200W LED
LED Type	SMD 3535 / SMD 5050							
Voltage	AC100-277V 50/60Hz							
Dimension	410x746mm	410x746mm	410x746mm	410x746mm	510x850mm	510x850mm	510x850mm	510x850mm
Power Factor	>0.95	>0.95	>0.95	>0.95	>0.95	>0.95	>0.95	>0.95
Color Temp.	2700K - 6500K	2700K - 6500K	2700K - 6500K	2700K - 6500K	2700K - 6500K	2700K - 6500K	2700K - 6500K	2700K - 6500K
CRI	≥80	≥80	≥80	≥80	≥80	≥80	≥80	≥80
Luminous Flux	150LM/W	150LM/W	150LM/W	150LM/W	150LM/W	150LM/W	150LM/W	150LM/W
Temp. in Working	-40°C +50°C	-40°C +50°C	-40°C +50°C	-40°C +50°C	-40°C +50°C	-40°C +50°C	-40°C +50°C	-40°C +50°C
Angle	15 / 30 / 45 / 80°	15 / 30 / 45 / 80°	15 / 30 / 45 / 80°	15 / 30 / 45 / 80°	15 / 30 / 45 / 80°	15 / 30 / 45 / 80°	15 / 30 / 45 / 80°	15 / 30 / 45 / 80°
Driver	Inventronics	Inventronics	Inventronics	Inventronics	Inventronics	Inventronics	Inventronics	Inventronics
Life Span	120,000Hrs							

Model No.	BRG13-P2-300	BRG13-P2-400	BRG13-P2-500	BRG13-P2-600	BRG13-P2-700	BRG13-P2-800	BRG13-P2-1000	BRG13-P2-1200
Power	300W LED	400W LED	500W LED	600W LED	700W LED	800W LED	1000W LED	1200W LED
LED Type	SMD 3535 / SMD 5050							
Voltage	AC100-277V 50/60Hz							
Dimension	454x484mm	454x484mm	454x484mm	454x484mm	554x581mm	554x581mm	554x581mm	554x581mm
Power Factor	>0.95	>0.95	>0.95	>0.95	>0.95	>0.95	>0.95	>0.95
Color Temp.	2700K - 6500K	2700K - 6500K	2700K - 6500K	2700K - 6500K	2700K - 6500K	2700K - 6500K	2700K - 6500K	2700K - 6500K
CRI	≥80	≥80	≥80	≥80	≥80	≥80	≥80	≥80
Luminous Flux	150LM/W	150LM/W	150LM/W	150LM/W	150LM/W	150LM/W	150LM/W	150LM/W
Temp. in Working	-40°C +50°C	-40°C +50°C	-40°C +50°C	-40°C +50°C	-40°C +50°C	-40°C +50°C	-40°C +50°C	-40°C +50°C
Angle	15 / 30 / 45 / 80°	15 / 30 / 45 / 80°	15 / 30 / 45 / 80°	15 / 30 / 45 / 80°	15 / 30 / 45 / 80°	15 / 30 / 45 / 80°	15 / 30 / 45 / 80°	15 / 30 / 45 / 80°
Driver	Inventronics	Inventronics	Inventronics	Inventronics	Inventronics	Inventronics	Inventronics	Inventronics
Life Span	120,000Hrs							

Photometric Data

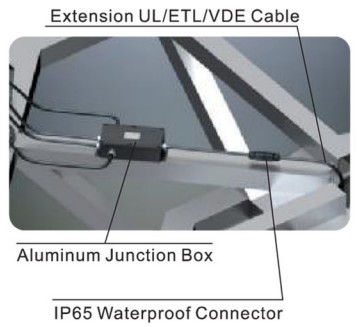
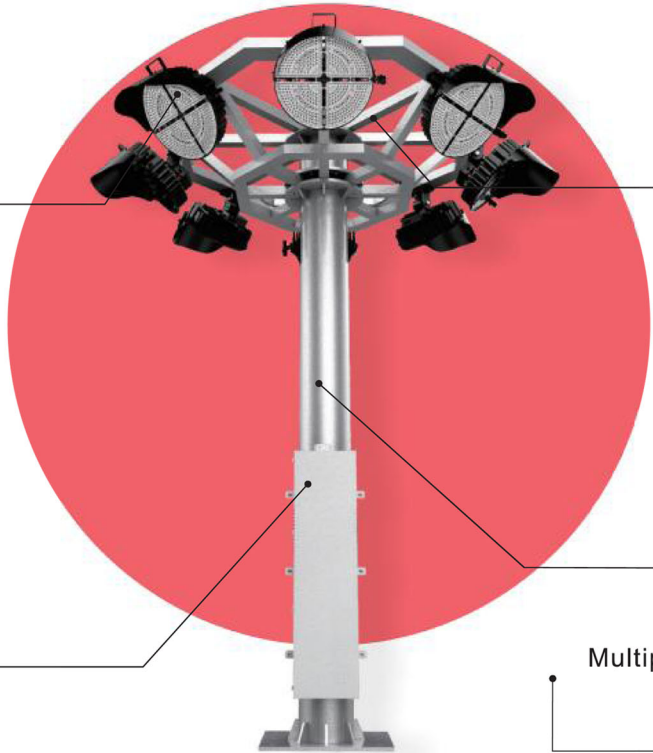


- Reduce Wind Resistance(EPA Value) ●
- Reduce Pole's Bearing ●
- Easy Installation ●
- Simple Installation, Saving Time ●
- Convenient for Maintenance ●
- Easy Change: Dali/Dimmable/Digital Driver ●

2 Strong Chain
Double Safety Protection

Pole Mounting System

Separate installation



Electric Control Box

Multiple High Mast Light Combined

Unlimited Quantity
independent assortment of lamp

Precise adjustment

High Quality 10KV/20KV SPD

Alu nameplate with customized logo

Easy to extend the line easy installation

Professional Junction Box

Driver Box Heatsink Design

Electric Power Supply
AC100-277V or AC277-480V

2x Triangle Lock For Safety

Driver DC Output Cable

High Mast Extension Wire

Through hole

Driver AC Input Cable

Driver: **INVENTRONICS**