



FEATURES:

- Recessed mounted trimless downlight
- COB LED chip by CREE/Osram/Philips

Body

- Made of die-cast aluminium with polyester powder coated.
- White, Silver, Black finish

Diffuser

- Tempered glass, thermal shock resistant

Reflector

- Anodized aluminium adjustable, light angle

Others

- ◆ Aluminium structured heat sink
- ◆ High efficient COB LED chip
- ◆ Dimmable Dalli / TRIAC 0 - 10V Available on request
- ◆ Heat resistant and solid conduct wiring
- ◆ Ideal for interior lighting
- ◆ European standard of EN 60598

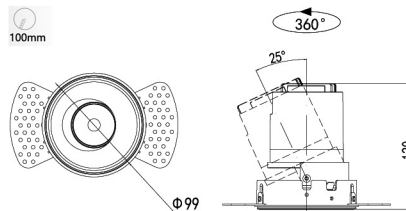
Available: 3000K 3500K 4000K 4500K 5000 - 5500K 6000 - 6500K



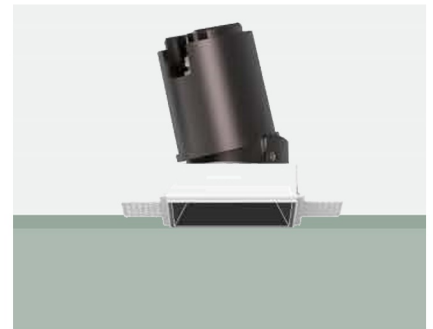
TM-Y991R



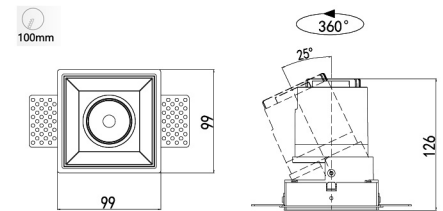
TM-Y991R



TM-F991S



TM-F991S



Model No.	TM-Y991R / TM-F991S			
Power	9W LED	15W LED	18W LED	20W LED
LED Type	CREE/Osram/Philips	CREE/Osram/Philips	CREE/Osram/Philips	CREE/Osram/Philips
Dimension	Dia: 99xH:112/118mm	Dia: 99xH:120/126mm	Dia: 99xH:120/126mm	Dia: 99xH:120/126mm
Voltage	AC85V-265V	AC285V-265V	AC85V-265V	AC85V-265V
Power Factor	>0.90	>0.90	>0.90	>0.90
Color Temp.	2700K - 6500K	2700K - 6500K	2700K - 6500K	2700K - 6500K
CRI	≥80	≥80	≥80	≥80
Luminous Flux	100LM/W	100LM/W	100LM/W	100LM/W
Beam Angle	15 / 24 / 36°	15 / 24 / 36°	15 / 24 / 36°	15 / 24 / 36°
Temp. in Working	-30°C +50°C	-30°C +50°C	-30°C +50°C	-30°C +50°C
Protection	IP44	IP44	IP44	IP44
Drive	Meanwell / Philips / Osram			
Life Span	50000Hrs			

Photometric

