

# BRG8A-(\*\*)

## LED Flood Light

### Description

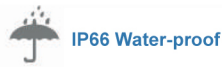
- Heavy duty LED Floodlight
- Made of extruded aluminium housing
- Powder coated surface coating.
- Integrative Lens, different angles for wide uses

### Features

- Aluminium heat zing
- Multi angle adjustable bracket
- High intensity lighting LED chip
- External Driver for easy maintenance
- Stainless steel cable gland

### Others

- ◆ High Corrosion resistant capability
- ◆ Philips / CREE LED
- ◆ Working Temperature: 50~60°C
- ◆ Ideal for external playground, stadium lighting
- ◆ European standard of EN 60598



IP66 Water-proof



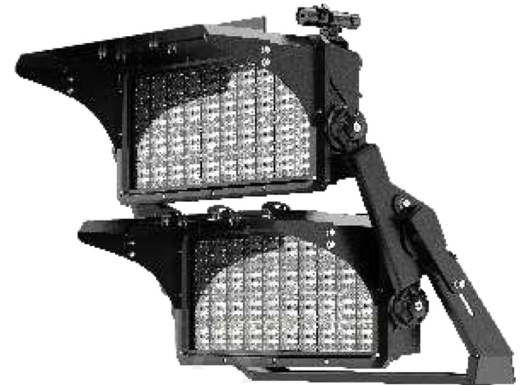
Easy Installation



AC100-277V 50/60Hz



150LM/W



### Options

Power	Color	Beam Angle
INVENTRONICS DRIVER	3000K	30°
	4000K	60°
	5000K	90°
	5700K	T2(117*34°)

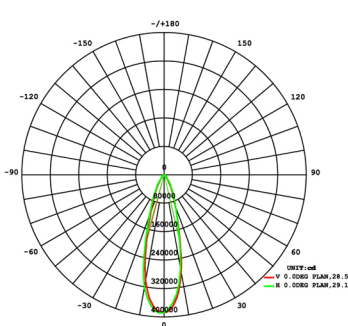
Operating Temp.: -40°C ~ +50°C

Storage Temp.: -40°C ~ +80°C



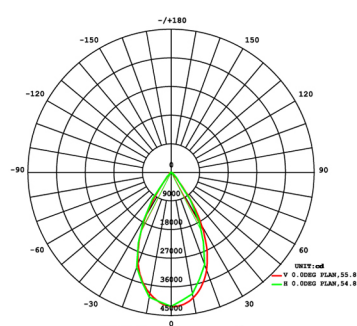
Model No.	Power	Lumen	LED Type	CRI	Beam Angle	Color	Weight
BRG8A-400	400W	150LM/W	SMD 5050	> 80	30° / 60° / 90° / T2	3000K - 6500K	17.0kg (37.5lbs)
BRG8A-500	500W	150LM/W	SMD 5050	>80	30° / 60° / 90° / T2	3000K - 6500K	17.0kg (37.5lbs)
BRG8A-600	600W	150LM/W	SMD 5050	> 80	30° / 60° / 90° / T2	3000K - 6500K	19.5kg (43.0lbs)
BRG8A-800	800W	150LM/W	SMD 5050	>80	30° / 60° / 90° / T2	3000K - 6500K	32.5kg (71.7lbs)
BRG8A-1000	1000W	150LM/W	SMD 5050	> 80	30° / 60° / 90° / T2	3000K - 6500K	32.5kg (71.7lbs)
BRG8A-1200	1200W	150LM/W	SMD 5050	>80	30° / 60° / 90° / T2	3000K - 6500K	36.5kg (80.5lbs)
BRG8A-1500	1500W	150LM/W	SMD 5050	>80	30° / 60° / 90° / T2	3000K - 6500K	46.5kg (103lbs)
BRG8A-1800	1800W	150LM/W	SMD 5050	>80	30° / 60° / 90° / T2	3000K - 6500K	54.0kg (119lbs)

### Photometric Data



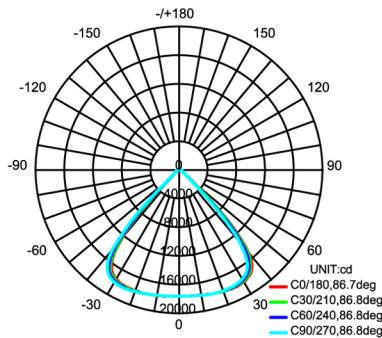
Average Beam Angle (50%): 28.8 Deg

30°



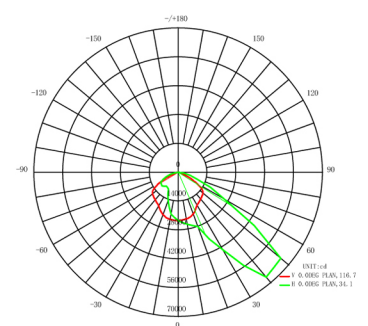
Average Beam Angle (50%): 55.3 Deg

60°



Average Beam Angle (50%): 86.8 Deg

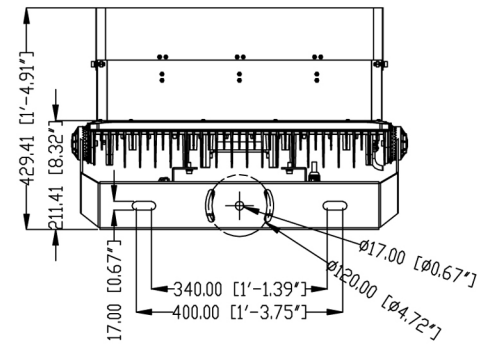
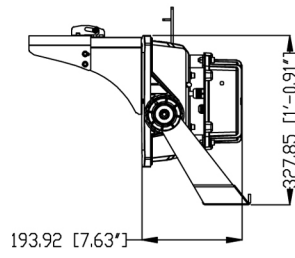
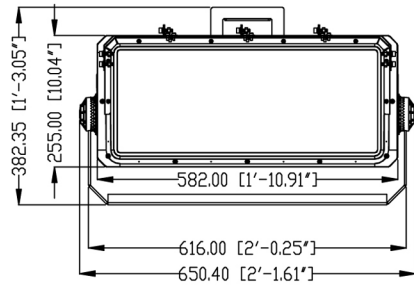
90°



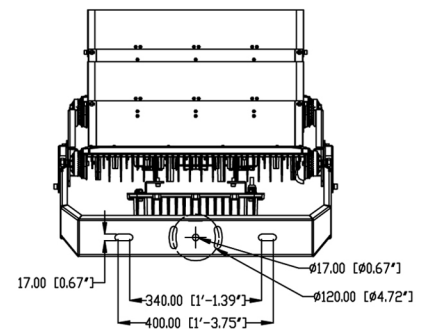
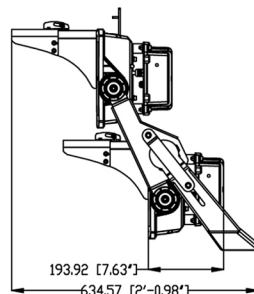
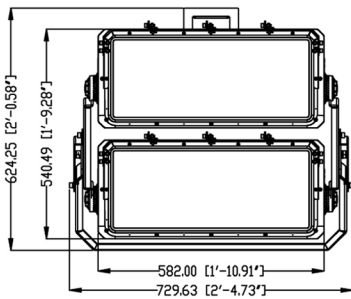
Average Beam Angle (50%): 75.4 Deg

T2(117\*34°)

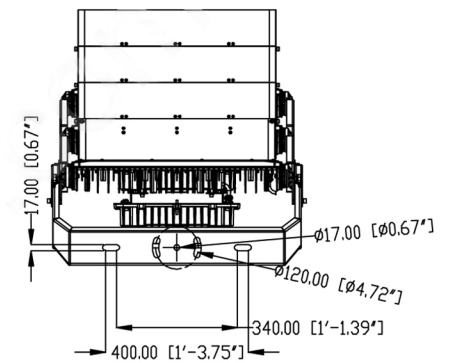
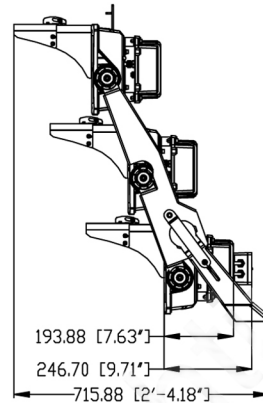
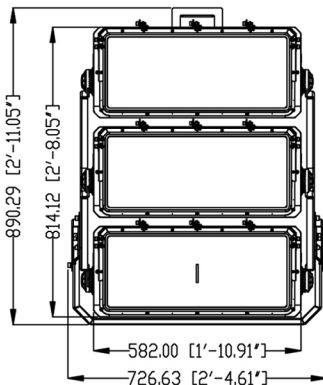
**Dimension**



400W / 500W / 600W



800W / 1000W / 1200W

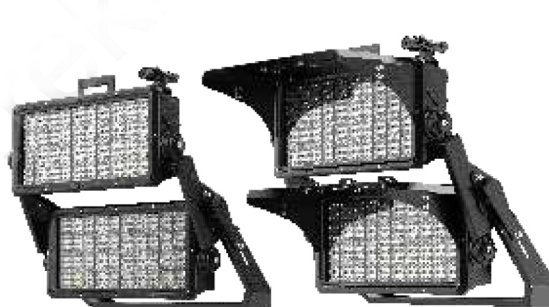


1500W / 1800W

**Model Options**



400W / 500W / 600W



800W / 1000W / 1200W



1500W / 1800W



# BRG8A-(\*\*)



## Installation & Use

### P1 U-Shaped Bracket

<p><b>01</b></p> <p>M16*45mm</p>	<p><b>02</b></p> <table border="1"> <tr> <td>D1</td> <td>D2</td> </tr> <tr> <td>17mm</td> <td>370mm</td> </tr> </table>	D1	D2	17mm	370mm	<p><b>03</b></p>	<p><b>04</b></p>	<p><b>05</b></p>
D1	D2							
17mm	370mm							
<p>Brown(Black) ---L Blue(White) ---N Green/Yellow ---GND</p>								