



FEATURES:

- Recessed mounted LED aluminium profile

Body

- Made of extruded aluminium
- Powder coated finish (Option)
- White, Black, Grey & Silver

Diffuser

- Prismatic or Opal Polycarbonate

Others

- ◆ Stainless steel mounting clip
- ◆ Remote Drive
- ◆ High quality SMD LED chip
- ◆ Heat resistant and solid conduct wiring
- ◆ Ideal for interior lighting
- ◆ European standard of EN 60598

Available:



IP44

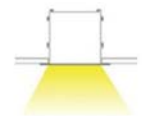
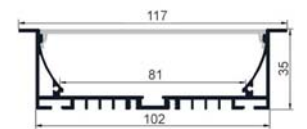


IP65 Version on request

BRLEPG/PS11735-(**)



Customade (Max. Length 2500mm)



Model No.	BRLEPG/PS11735/500	BRLEPG/PS11735/1000	BRLEPG/PS11735/1500	BRLEPG/PS11735/2500
Size	L500xW117xH35mm	L1000xW117xH35mm	L1500xW117xH35mm	L2500xW117xH35mm
Power	10 - 30W	20 - 60W	30 - 90W	50 - 150W
Type of LED	SMD2835 / 5730 / 5050	SMD2835/5730/5050	SMD2835 / 5730 / 5050	SMD2835 / 5730 / 5050
Luminous Flux	120LM/W	120LM/W	120LM/W	120LM/W
Color Temp.	2700-6500K	2700-6500K	2700-6500K	2700-6500K
Voltage	AC 100-240V	AC 100-240V	AC 100-240V	AC 100-240V
Power Factor	0.95	0.95	0.95	0.95
Beam Angle	110°	110°	110°	110°
CRI	>80	>80	>80	>80
Working Temp.	-20-40°C	-20-40°C	-20-40°C	-20-40°C
Mounting Method	Surface / Suspended / Recessed / Wall			
Size	(Customade Size & Wattage on request)			
Life	50000Hrs			

INSTALLATION



Aluminium Profile



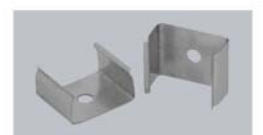
PC Cover



Metal end cap



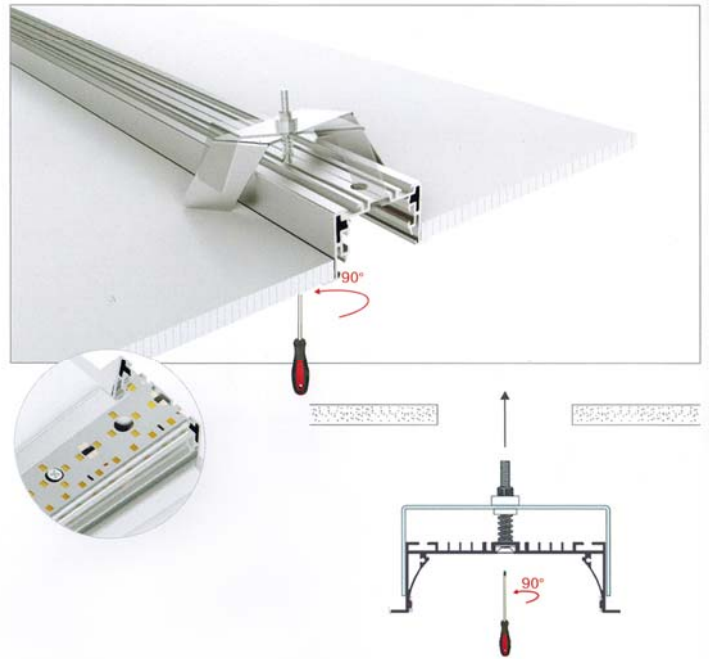
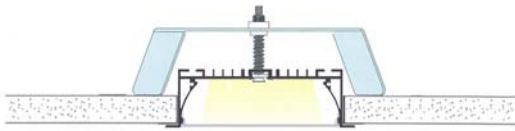
Spring clip



Metal Clip

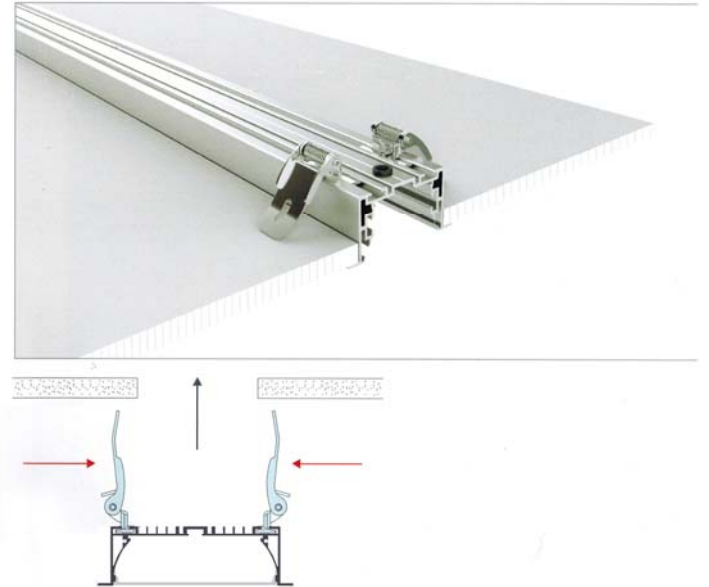
Recessed Schematic Diagram

- Step1: "N" type clip set to profile body
- Step2: 90° Rotation pressing button on profile



Recessed Butterfly Diagram

- Step1: "Butterfly" type clip set to profile body
- Step2: Push the body up, stuck with the wall



PHOTOMETRIC DIAGRAM

