



FEATURES:

- Recessed mounted trimless downlight
- COB LED chip by CREE / PHILIPS

Body

- Made of die-cast aluminium with polyester powder coated.
- White, Silver, Black finish

Diffuser

- Tempered glass, thermal shock resistant

Reflector

- Anodized aluminium adjustable reflector

Others

- ◆ Aluminium structured heat sink
- ◆ High efficient COB LED chip
- ◆ Dimmable Dalli / TRIAC 0 - 10V Available on request
- ◆ Heat resistant and solid conduct wiring
- ◆ Ideal for interior lighting
- ◆ European standard of EN 60598

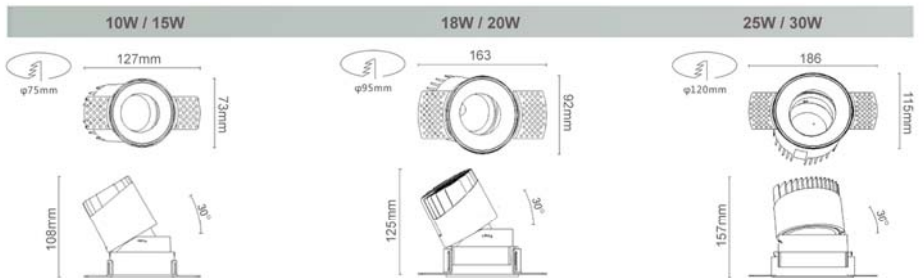
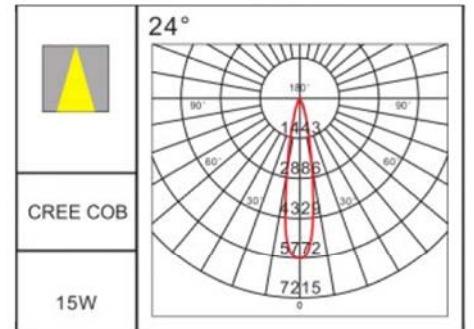
Available: 3000K 3500K 4000K 4500K 5000 - 5500K 6000 - 6500K



SW-TY0201R



Photometric



Model No.	SW-TY0201R					
Power	10W LED	15W LED	18W LED	20W LED	25W LED	30W LED
LED Type	CREE / PHILIPS	CREE / PHILIPS	CREE / PHILIPS	CREE / PHILIPS	CREE / PHILIPS	CREE / PHILIPS
Dimension	Dia: 73x127x108mm	Dia: 73x127x108mm	Dia: 92x163x125mm	Dia: 92x163x125mm	Dia: 115x186x157mm	Dia: 115x186x157mm
Voltage	AC200V-240V	AC200V-240V	AC200V-240V	AC200V-240V	AC200V-240V	AC200V-240V
Power Factor	>0.90	>0.90	>0.90	>0.90	>0.90	>0.90
Color Temp.	2700K - 6500K	2700K - 6500K	2700K - 6500K	2700K - 6500K	2700K - 6500K	2700K - 6500K
CRI	≥80	≥80	≥80	≥80	≥80	≥80
Luminous Flux	100LM/W	100LM/W	100LM/W	100LM/W	100LM/W	100LM/W
Beam Angle	15 / 24 / 38°	15 / 24 / 38°	15 / 24 / 38°	15 / 24 / 38°	15 / 24 / 38°	15 / 24 / 38°
Temp. in Working	-30°C +50°C	-30°C +50°C	-30°C +50°C	-30°C +50°C	-30°C +50°C	-30°C +50°C
Protection	IP44	IP44	IP44	IP44	IP44	IP44
Drive	Electronic	Electronic	Electronic	Electronic	Electronic	Electronic
Life Span	50000Hrs					