



**FEATURES:**

- Recessed mounted semi-trim downlight
- COB LED chip by CREE / PHILIPS

**Body**

- Made of die-cast aluminium with polyester powder coated.
- White, Silver, Black finish

**Diffuser**

- Tempered glass, thermal shock resistant

**Reflector**

- Anodized aluminium adjustable reflector

**Others**

- ◆ Aluminium structured heat sink
- ◆ High efficient COB LED chip
- ◆ Dimmable Dalli / TRIAC 0 - 10V Available on request
- ◆ Heat resistant and solid conduct wiring
- ◆ Ideal for interior lighting
- ◆ European standard of EN 60598

Available:

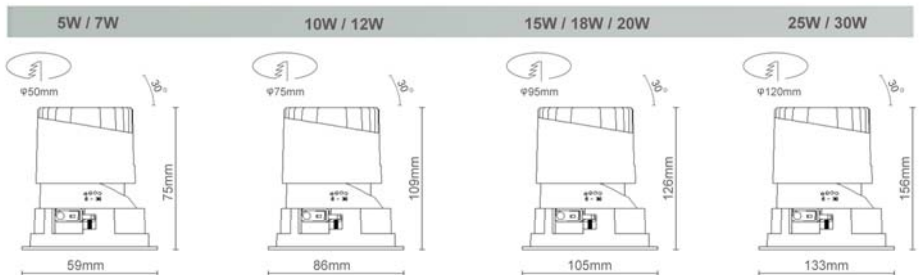
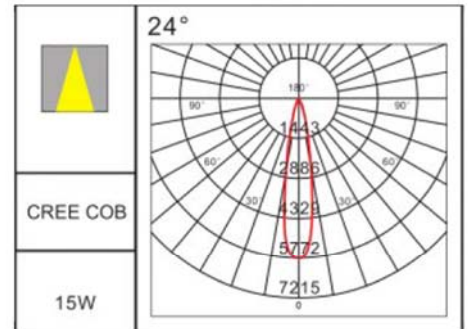
3000K	3500K	4000K	4500K	5000 - 5500K	6000 - 6500K
-------	-------	-------	-------	--------------	--------------



**TM-CG07**



**Photometric**



Model No.	TM-CG07						
Power	5W / 7W LED	10W / 12W LED	15W LED	18W LED	20W LED	25W LED	30W LED
LED Type	CREE / PHILIPS	CREE / PHILIPS	CREE / PHILIPS	CREE / PHILIPS	CREE / PHILIPS	CREE / PHILIPS	CREE / PHILIPS
Dimension	Dia: 59x59x75mm	Dia: 86x86x109mm	Dia: 105x105x126mm	Dia: 105x105x126mm	Dia: 105x105x126mm	Dia: 133x133x156mm	Dia: 133x133x156mm
Voltage	AC200V-240V	AC200V-240V	AC200V-240V	AC200V-240V	AC200V-240V	AC200V-240V	AC200V-240V
Power Factor	>0.90	>0.90	>0.90	>0.90	>0.90	>0.90	>0.90
Color Temp.	2700K - 6500K	2700K - 6500K	2700K - 6500K	2700K - 6500K	2700K - 6500K	2700K - 6500K	2700K - 6500K
CRI	≥80	≥80	≥80	≥80	≥80	≥80	≥80
Luminous Flux	100LM/W	100LM/W	100LM/W	100LM/W	100LM/W	100LM/W	100LM/W
Beam Angle	15 / 24 / 28°	15 / 24 / 28°	15 / 24 / 38°	15 / 24 / 38°	15 / 24 / 38°	15 / 24 / 38°	15 / 24 / 38°
Temp. in Working	-30°C +50°C	-30°C +50°C	-30°C +50°C	-30°C +50°C	-30°C +50°C	-30°C +50°C	-30°C +50°C
Protection	IP44	IP44	IP44	IP44	IP44	IP44	IP44
Drive	Philips	Philips	Philips	Philips	Philips	Philips	Philips
Life Span	50000Hrs						