



Description

- Heavy duty LED Floodlight
- Made of extruded aluminium housing
- Powder coated surface coating.
- Integrative Lens, different angles for wide uses

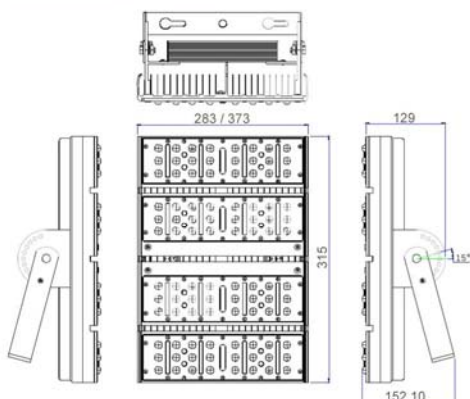
FEATURES:

- Aluminium heat zing
- Multi angle adjustable bracket
- High intensity lighting LED chip
- External Driver for more long term stability
- Stainless steel cable gland

Others

- ◆ High Corrosion resistant capability
- ◆ Philips / CREE LED
- ◆ Working Temperature: 50~60°C
- ◆ Ideal for external tunnel lighting
- ◆ European standard of EN 60598

JRB150 / JRB200



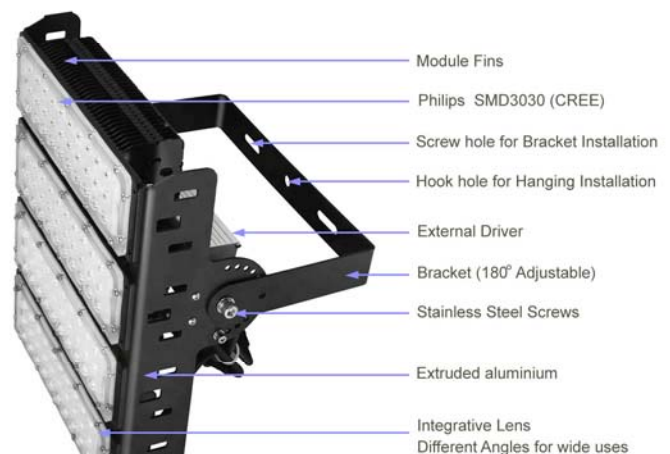
JRB150



JRB200



STRUCTURE



Model No.	JRB50	JRB100	JRB150	JRB200	JRB250	JRB300
Power	50W LED	100W LED	150W LED	200W LED	250W LED	300W LED
LED Type	SMD3030, 1*64Pcs	SMD3030, 2*64Pcs	SMD3030, 3*64Pcs	SMD3030, 4*64Pcs	SMD3030, 5*64Pcs	SMD3030, 6*64Pcs
Dimension	315x93x129mm	315x186x129mm	315x283x129mm	315x373x129mm	315x466x129mm	315x560x129mm
Voltage	AC85-265V 50/60Hz	AC85-265V 50/60Hz	AC85-265V 50/60Hz	AC85-265V 50/60Hz	AC85-265V 50/60Hz	AC85-265V 50/60Hz
Power Factor	>0.95	>0.95	>0.95	>0.95	>0.95	>0.95
Color Temp.	2700K - 6500K	2700K - 6500K	2700K - 6500K	2700K - 6500K	2700K - 6500K	2700K - 6500K
THD	<20%	<20%	<20%	<20%	<20%	<20%
CRI	≥80	≥80	≥80	≥80	≥80	≥80
Luminous Flux	110-130LM/W	110-130LM/W	110-130LM/W	110-130LM/W	110-130LM/W	110-130LM/W
Temp. in Working	-40°C +50°C	-40°C +50°C	-40°C +50°C	-40°C +50°C	-40°C +50°C	-40°C +50°C
Angle	60 / 90 / 120°	60 / 90 / 120°	60 / 90 / 120°	60 / 90 / 120°	60 / 90 / 120°	60 / 90 / 120°
Driver	Meanwell ELG	Meanwell ELG	Meanwell ELG	Meanwell ELG	Meanwell ELG	Meanwell ELG
Protection	IP65	IP65	IP65	IP65	IP65	IP65
Life Span	50000Hrs					

150W,130lm/W Waterproof LED Flood lights Luminous distribution diagram:

