

FEATURES:

- Recessed Underwater LED light
- High efficiency light source, Cree & Edison 1W, 2W, 3W high power Single LED

Body

- Housing and frame made of stainless steel 316 Grade + 304 recessed sleeve High efficient heat sink for better heat dissipation.

Diffuser

- Tempered clear glass, heat-resisting and impact resistance.

Others

- ◆ Supplied with plastic installation container and 1m of connecting cable.
- ◆ Long life, up to 45,000 hours
- ◆ Waterproof IP68
- ◆ Beam Angle 25-40°
- ◆ Heat resistant and solid conduct wiring
- ◆ Ideal for underwater lighting
- ◆ European standard of EN 60598

Options

- Cable lengths can be supplied according to site requirements
- Beam Angle optional: 10°/15°/25°/30°/40°/60°/90°



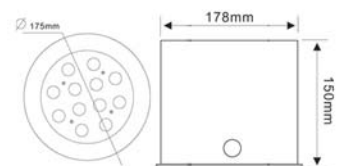
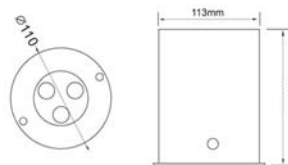
Available:



BTUW316R-9(**)



BTUW316R-36(**)



Model No.	BTUW316R-9(**)	BTUW316R-18(**)	BTUW316R-27(**)	BTUW316R-36/64(**)	BTUW316R-54(**)	BTUW316R-72/96(**)
Power	3*3W LED	6*3W LED	9*3W LED	12*3W / 16*4W LED	18*3W LED	24*3W / 24*4W LED
LED Type	CREE / EDISON	CREE / EDISON	CREE / EDISON	CREE / EDISON	CREE / EDISON	CREE / EDISON
Dimension	D113xH150mm	D128xH150mm	D154xH150mm	D180xH150mm	D195xH150mm	D195xH150mm
Voltage	DC12V / DC24V	DC12V / DC24V	DC12V / DC24V	DC12V / DC24V	DC12V / DC24V	DC24V
Power Factor	>0.95	>0.95	>0.95	>0.95	>0.95	>0.95
Color Temp.	2700K - 6500K / RGB	2700K - 6500K / RGB	2700K - 6500K / RGB	2700K - 6500K / RGB	2700K - 6500K / RGB	2700K - 6500K / RGB
CRI	≥70	≥70	≥70	≥70	≥70	≥70
Luminous Flux	80-90LM/W	80-90LM/W	80-90LM/W	80-90LM/W	80-90LM/W	80-90LM/W
Temp. in Working	-30°C +50°C	-30°C +50°C	-30°C +50°C	-30°C +50°C	-30°C +50°C	-30°C +50°C
Lens	Transparent					
Cable Gland	PG13.5 Nickel-plated Brass					
Control Mode	RDM / DMX512 (3 Channel) / DMX512 (4 Channel) / Auto change colour can be optional					

9W LED UNDERWATER

Item code	LED Q'ty	Color	Control Mode	Line Way	Working Voltage
88250.033.01	3 pcs 1-3W LED	2700-3000K	/	V+/V-	AC12V DC12V DC24V
88250.033.02	3 pcs 1-3W LED	4000-4500K	/	V+/V-	AC12V DC12V DC24V
88250.033.03	3 pcs 1-3W LED	5000-5500K	/	V+/V-	AC12V DC12V DC24V
88250.033.04	3 pcs 1-3W LED	6000-6500K	/	V+/V-	AC12V DC12V DC24V
88250.033.05	3 pcs 1-3W LED	Red	/	V+/V-	AC12V DC12V DC24V
88250.033.06	3 pcs 1-3W LED	Green	/	V+/V-	AC12V DC12V DC24V
88250.033.07	3 pcs 1-3W LED	Blue	/	V+/V-	AC12V DC12V DC24V
88250.033.08	3 pcs 1-3W LED	Yellow	/	V+/V-	AC12V DC12V DC24V
88250.033.09	3pcs 3W LED (1R+1G+1B)	RGB	DMX512 (3 channel)	V+V-/D+D-	AC12V DC12V DC24V
88250.033.10	3pcs 3in1 LED (3R+3G+3B)	RGB	DMX512 (3 channel)	V+V-/D+D-	/
88250.033.11	3pcs 3in1 LED (3R+3G+3B)	RGB	Auto control	V+/V-	/
88250.033.13	3pcs 3in1 LED (3R+3G+3B)	RGB	External Build-in current-limiting circuit	R/G/B/V+	AC12V DC12V

BTUW316R-18 (**)



BTUW316R-27 (**)



BTUW316R-54 (**)



BTUW316R-72/96 (**)



36W LED UNDERWATER

Item code	LED Q'ty	Color	Control Mode	Line Way	Working Voltage
88254.123.01	12 pcs 1-3W LED	2700-3000K	/	V+/V-	DC24V
88254.123.02	12 pcs 1-3W LED	4000-4500K	/	V+/V-	DC24V
88254.123.03	12 pcs 1-3W LED	5000-5500K	/	V+/V-	DC24V
88254.123.04	12 pcs 1-3W LED	6000-6500K	/	V+/V-	DC24V
88254.123.05	12 pcs 1-3W LED	Red	/	V+/V-	DC24V
88254.123.06	12 pcs 1-3W LED	Green	/	V+/V-	DC24V
88254.123.07	12 pcs 1-3W LED	Blue	/	V+/V-	DC24V
88254.123.08	12 pcs 1-3W LED	Yellow	/	V+/V-	DC24V
88254.123.09	12pcs 3W LED (4R+4G+4B)	RGB	DMX512 (3 channel)	V+/V-/D+/D-	DC24V
88254.123.10	12pcs 3in1 LED (12R+12G+12B)	RGB	DMX512 (3 channel)	V+/V-/D+/D-	/
88254.123.11	12pcs 3W LED (4R+4G+4B)	RGB	Auto control	V+/V-	AC/DC24V
88254.123.13	12pcs 3W LED (4R+4G+4B)	RGB	External Build-in current-limiting circuit	R/G/B/V+	DC24V

Material Features



The Radiator

Adopting 316 stainless steel and thicken radiator, sufficient material to use, beautiful appearance, super performance for conductivity, perfect solution for the heat-dispersing of lamp body, keeping a very long lifespan for the light.

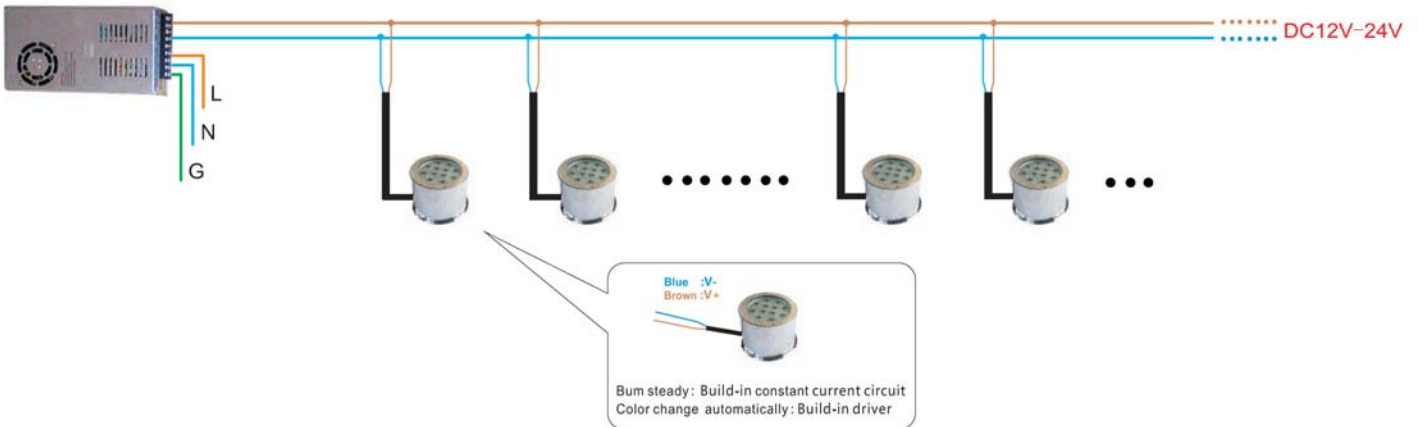


Opticallens

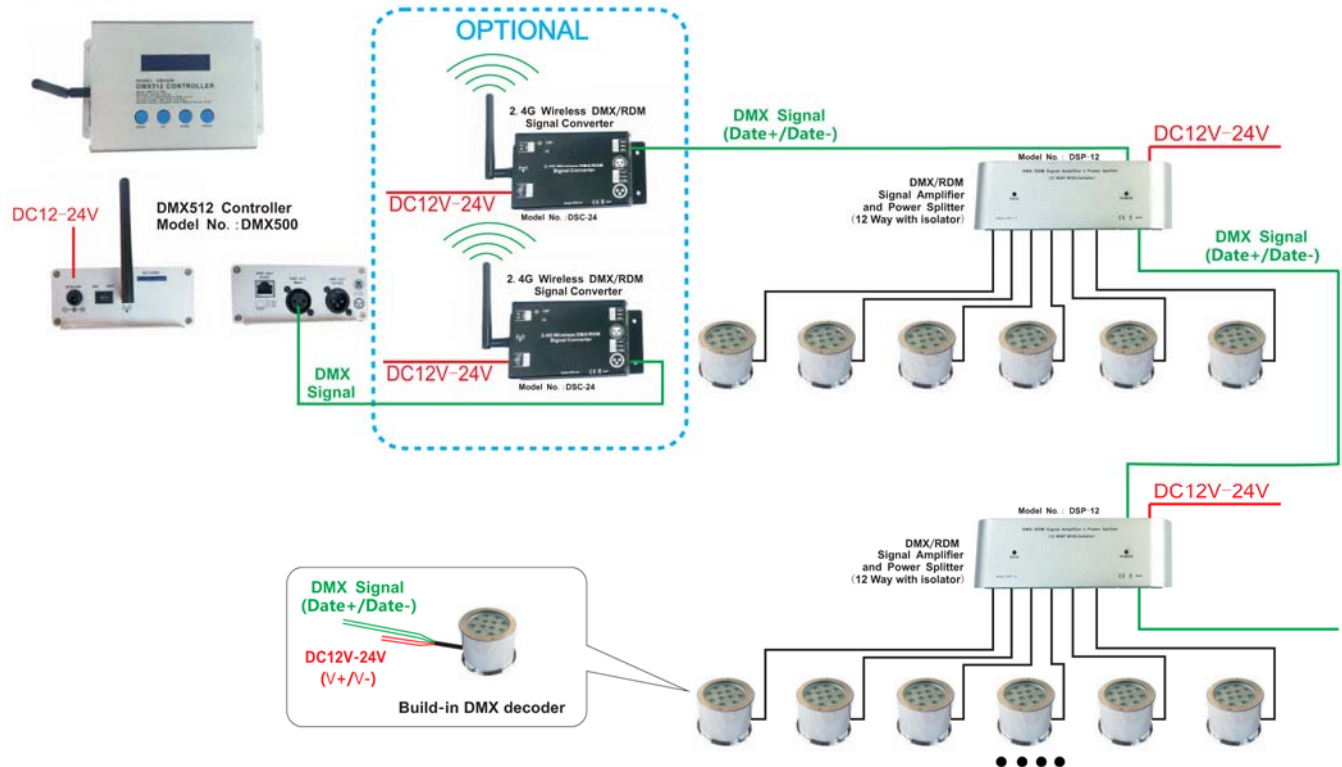
High quality 316 stainless steel helmet, superior level of tempered glass, resist compression and crack, super light transmitting ratio with advanced optical lens.



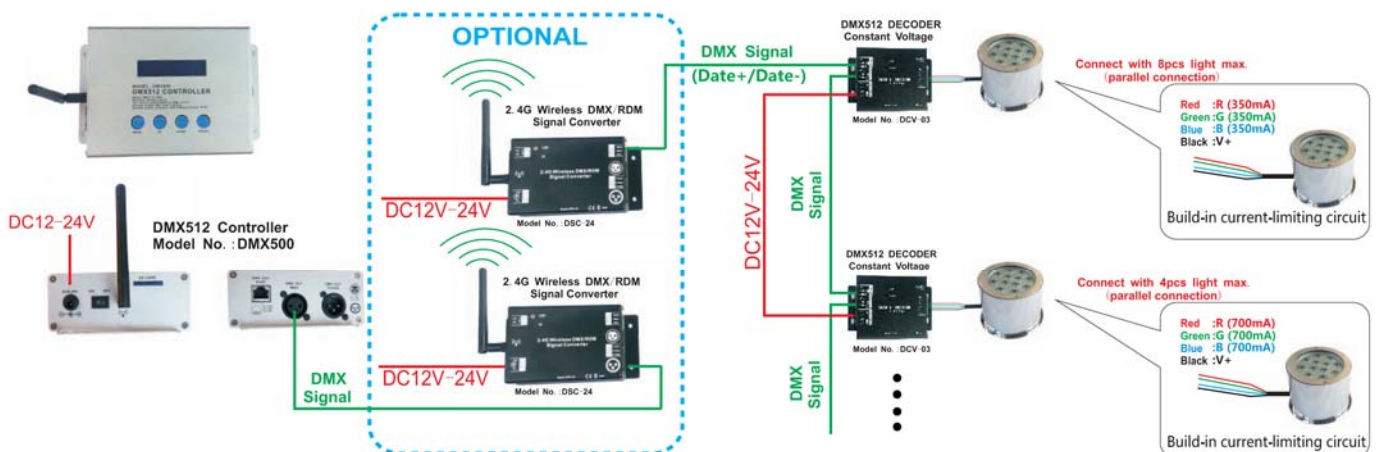
Single color (1)



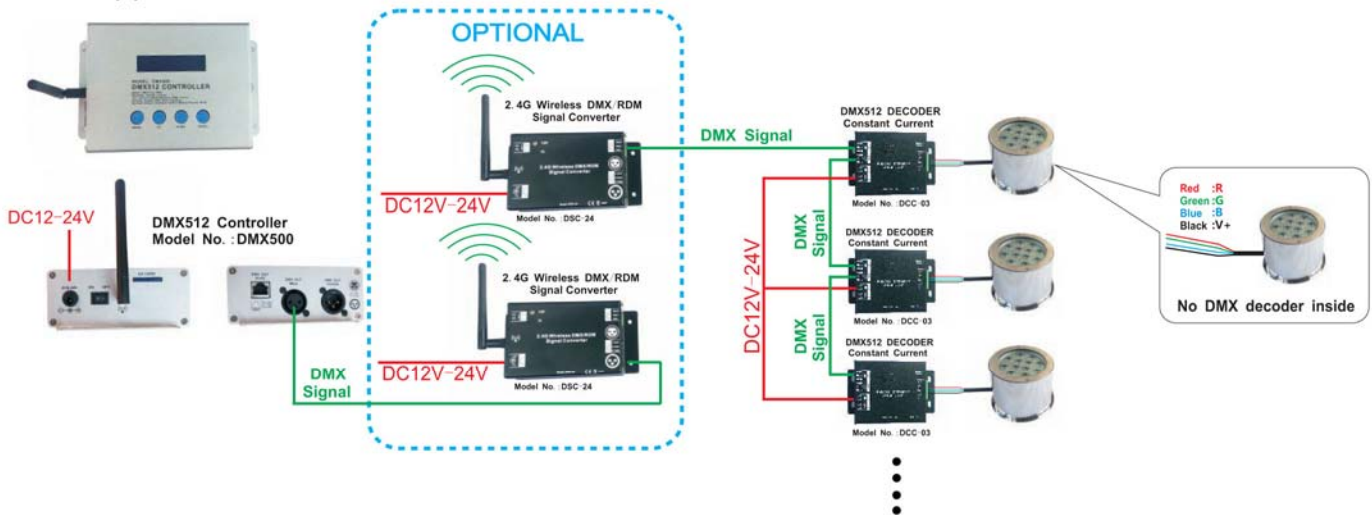
DMX512 (2)



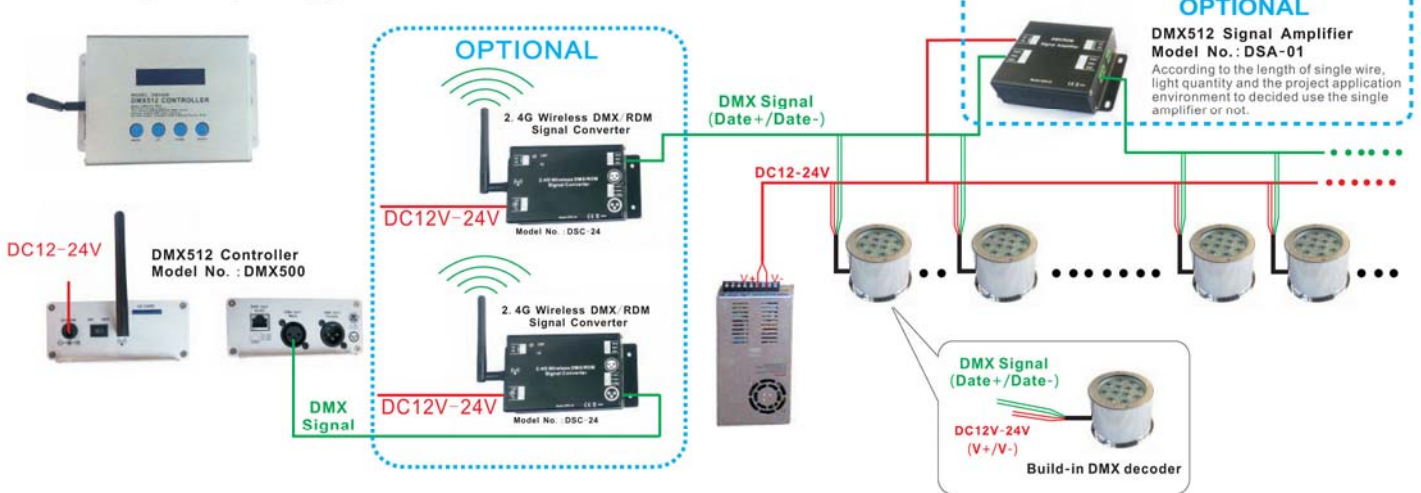
External (3)



External (4)



DMX512 Signal Amplifier (5)



Accessories



93000023

T type IP68 quick connector suitable for 6.8-10mm Ø cables max. 3 x 2.5mm² or 5 x 2.5mm²



93000024

IP68 quick connector suitable for 6.8-10mm Ø cables max. 3 x 2.5mm²



93000025

IP68 quick connector suitable for 8-12mm Ø cables max. 5 x 2.5mm²



IP23 Switch Power Supply

Will be chosen according to the light quantity and cable length.



IP66 Switch Power Supply

Will be chosen according to the light quantity and cable length.



88612

DMX512 CONTROLLER Model No.: DMX500



88605

2.4G wireless DMX/RDM signal converter Model No.: DSC-24



88606

DMX/RDM signal amplifier Model No.: DSA-01



12000011

Material: 316 stainless steel Size: 240*87mm



88604

12 way DMX/RDM signal amplifier and power splitter Model No.: DSP-12



88607

DMX/RDM signal amplifier Model No.: DSA-01P IP68



12000010

Material: 316 stainless steel Size: 92*4.5mm