



FEATURES:

- Underwater LED light
- High efficiency light source, Cree & Edison 1W, 2W, 3W high power Single LED

Body

- Housing and frame made of stainless steel 316 Grade, High efficient heat sink for better heat dissipation.

Diffuser

- Tempered clear glass, heat-resisting and impact resistance.

Others

- ◆ Supplied with 1.5m 3wires / 5wires VDE rubber cable or UL rubber cable.
- ◆ Long life, up to 45,000 hours
- ◆ Waterproof IP68
- ◆ Beam Angle 10-90°
- ◆ Heat resistant and solid conduct wiring
- ◆ Ideal for underwater lighting
- ◆ European standard of EN 60598

Options

- Cable lengths can be supplied according to site requirements
- Beam Angle optional: 10°/15°/20°/30°/45°/60°/90°



Available:



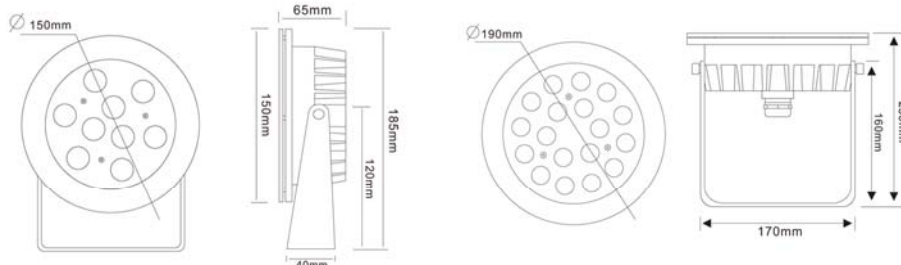
BTUW316-27(**)



BTUW316-54(**)



Dimension



Model No.	BTUW316-18/27(**)	BTUW316-36(**)	BTUW316-45(**)	BTUW316-64(**)	BTUW316-54(**)	BTUW316-72/96(**)
Power	18W / 27W LED	36W LED	45W LED	64W LED	54W LED	72W / 96W LED
LED Type	CREE / EDISON	CREE / EDISON	CREE / EDISON	CREE / EDISON	CREE / EDISON	CREE / EDISON
Dimension	D150xH185mm	D175xH230mm	D175xH230mm	D175xH230mm	D190xH250mm	D190xH250mm
Voltage	DC24V	DC24V	DC24V	DC24V	DC24V	DC24V
Power Factor	>0.95	>0.95	>0.95	>0.95	>0.95	>0.95
Color Temp.	2700K - 6500K / RGB	2700K - 6500K / RGB	2700K - 6500K / RGB	2700K - 6500K / RGB	2700K - 6500K / RGB	2700K - 6500K / RGB
CRI	≥70	≥70	≥70	≥70	≥70	≥70
Luminous Flux	80-90LM/W	80-90LM/W	80-90LM/W	80-90LM/W	80-90LM/W	80-90LM/W
Temp. in Working	-30°C +50°C	-30°C +50°C	-30°C +50°C	-30°C +50°C	-30°C +50°C	-30°C +50°C
Lens Surface	Mirrored, Beaded, Striped					
Cable Gland	PG13.5 Stainless Steel 316L					
Control Mode	Auto color change / DMX512 Controllable					

27W LED UNDERWATER

Item code	LED Q'ty	Color	Control Mode	Line Way	Working Voltage
88106.093.01	9 pcs 1-3W LED	2700-3000K	/	V+/V-	AC12V DC12V DC24V
88106.093.02	9 pcs 1-3W LED	4000-4500K	/	V+/V-	AC12V DC12V DC24V
88106.093.03	9 pcs 1-3W LED	5000-5500K	/	V+/V-	AC12V DC12V DC24V
88106.093.04	9 pcs 1-3W LED	6000-6500K	/	V+/V-	AC12V DC12V DC24V
88106.093.05	9 pcs 1-3W LED	Red	/	V+/V-	AC12V DC12V DC24V
88106.093.06	9 pcs 1-3W LED	Green	/	V+/V-	AC12V DC12V DC24V
88106.093.07	9 pcs 1-3W LED	Blue	/	V+/V-	AC12V DC12V DC24V
88106.093.08	9 pcs 1-3W LED	Yellow	/	V+/V-	AC12V DC12V DC24V
88106.093.09	9pcs 3W LED (3R+3G+3B)	RGB	DMX512 (3 channel)	V+/V-/D+/D-	AC12V DC12V DC24V
88106.093.10	9pcs 3W LED (9R+9G+9B)	RGB	DMX512 (3 channel)	V+/V-/D+/D-	AC12V DC12V DC24V
88106.093.11	9pcs 3W LED (3R+3G+3B)	RGB	Auto control	V+/V-	AC12V AC24V
88106.093.13	9pcs 3W LED (3R+3G+3B)	RGB	External Build-in current-limiting circuit	R/G/B/V+	DC12V DC24V
88106.094.14	9pcs 4in1 LED (4R+4G+4B+4W)	RGBW	DMX512 (4 channel)	V+/V-/D+/D-	AC12V DC12V DC24V



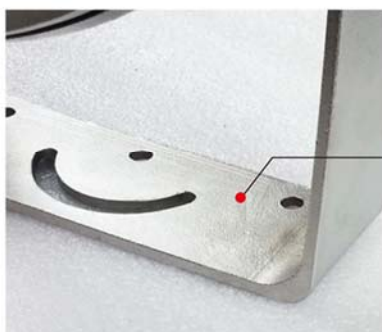
The radiator

Adopting 316 stainless steel and thicken radiator, sufficient material to use, beautiful appearance, super performance for conductivity, perfect solution for the heat-dispersing of lamp body, keeping a very long lifespan for the light.



Opticallens

High quality 316 stainless steel helmet, superior level of tempered glass, resist compression and crack, Super light transmitting ratio with advanced optical lens.



Stents

High quality 316 stainless steel with adding thicken bracket, 100% sufficient material used, super power of hardness to protect the light from damaging, guaranteeing the light body to keep balance forever.



Screw

Adopting superior quality screw of 316 stainless steel, super strong for hardness, protecting the light from damaging, being able to resist rust permanently, to support and fix the lamp body powerfully.

54W LED UNDERWATER

Item code	LED Q'ty	Color	Control Mode	Line Way	Working Voltage
88108.183.01	18 pcs 1-3W LED	2700-3000K	/	V+/V-	DC24V
88108.183.02	18 pcs 1-3W LED	4000-4500K	/	V+/V-	DC24V
88108.183.03	18 pcs 1-3W LED	5000-5500K	/	V+/V-	DC24V
88108.183.04	18 pcs 1-3W LED	6000-6500K	/	V+/V-	DC24V
88108.183.05	18 pcs 1-3W LED	Red	/	V+/V-	DC24V
88108.183.06	18 pcs 1-3W LED	Green	/	V+/V-	DC24V
88108.183.07	18 pcs 1-3W LED	Blue	/	V+/V-	DC24V
88108.183.08	18 pcs 1-3W LED	Yellow	/	V+/V-	DC24V
88108.183.09	18pcs 3W LED (6R+6G+6B)	RGB	DMX512 (3 channel)	V+/V-/D+/D-	DC24V
88108.183.10	18pcs 3in1 LED (18R+18G+18B)	RGB	DMX512 (3 channel)	V+/V-/D+/D-	DC24V
88108.183.11	18pcs 3W LED (6R+6G+6B)	RGB	Auto control	V+/V-	AC24V
88108.183.13	18pcs 3W LED (6R+6G+6B)	RGB	External Build-in current-limiting circuit	R/G/B/V+	DC24V

Accessories



IP23 Switch Power Supply

Will be chosed according to the light quantity and cable length.



IP66 Switch Power Supply

Will be chosed according to the light quantity and cable length.



88612

DMX512 CONTROLLER
Model No.: DMX500



88605

2.4G wireless DMX/RDM
signal converter
Model No.: DSC-24



88606

DMX/RDM signal amplifier
Model No.: DSA-01



12000011

Material: 316stainless steel
Size: 240*87mm



88604

12 way DMX/RDM
signal amplifier and power splitter
Model No.: DSP-12



88607

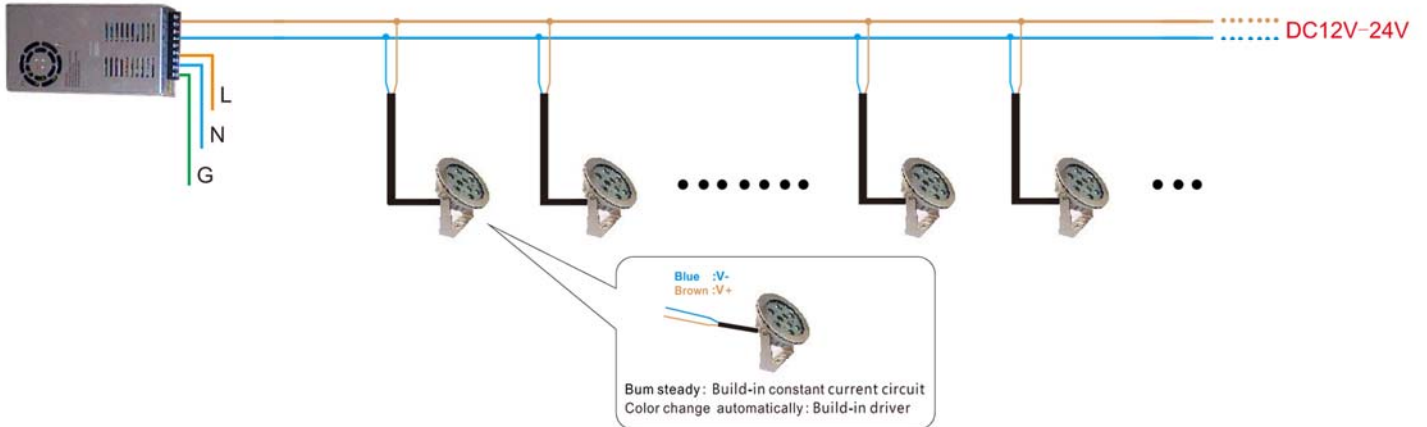
DMX/RDM signal amplifier
Model No.: DSA-01P
IP68



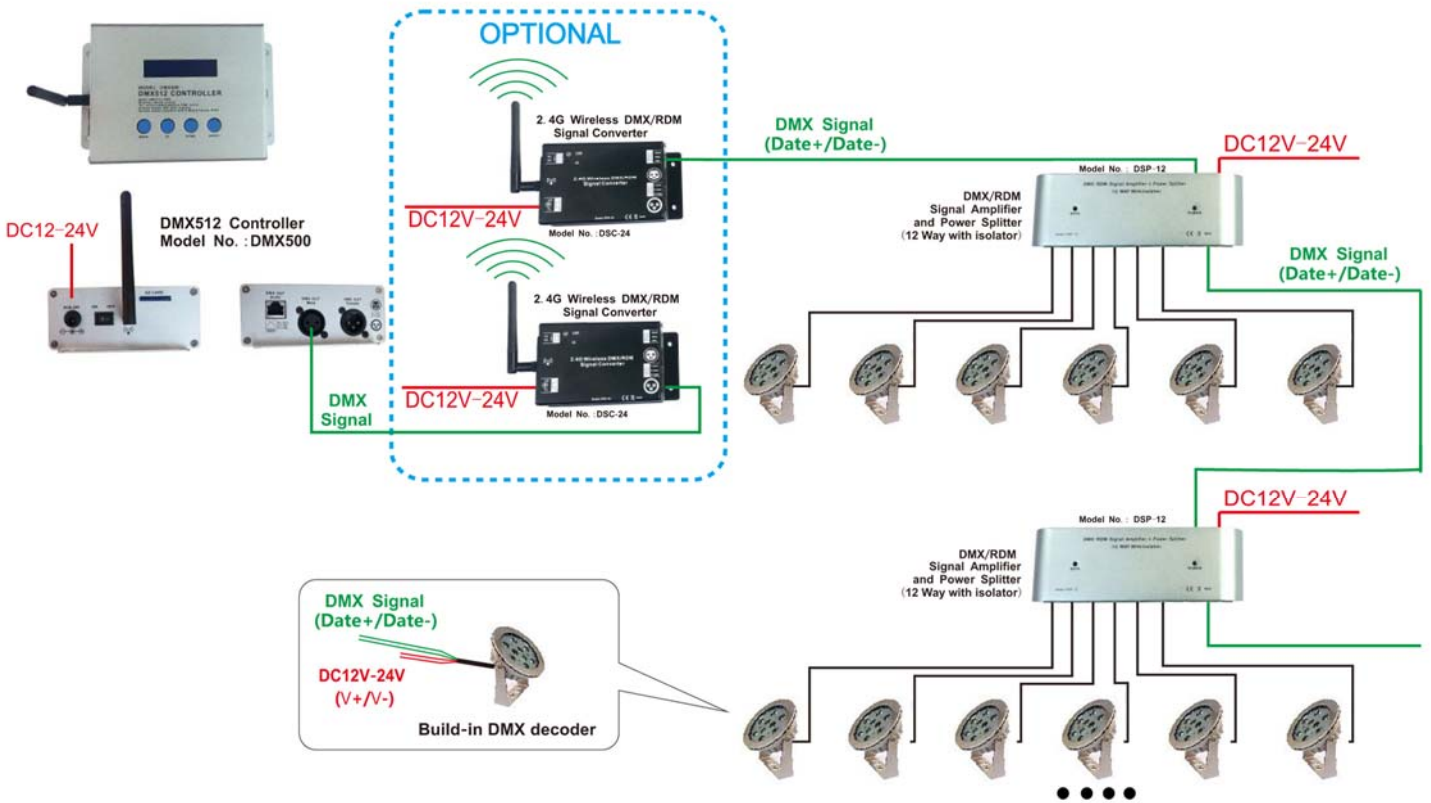
12000010

Material: 316stainless steel
Size: 92*4.5mm

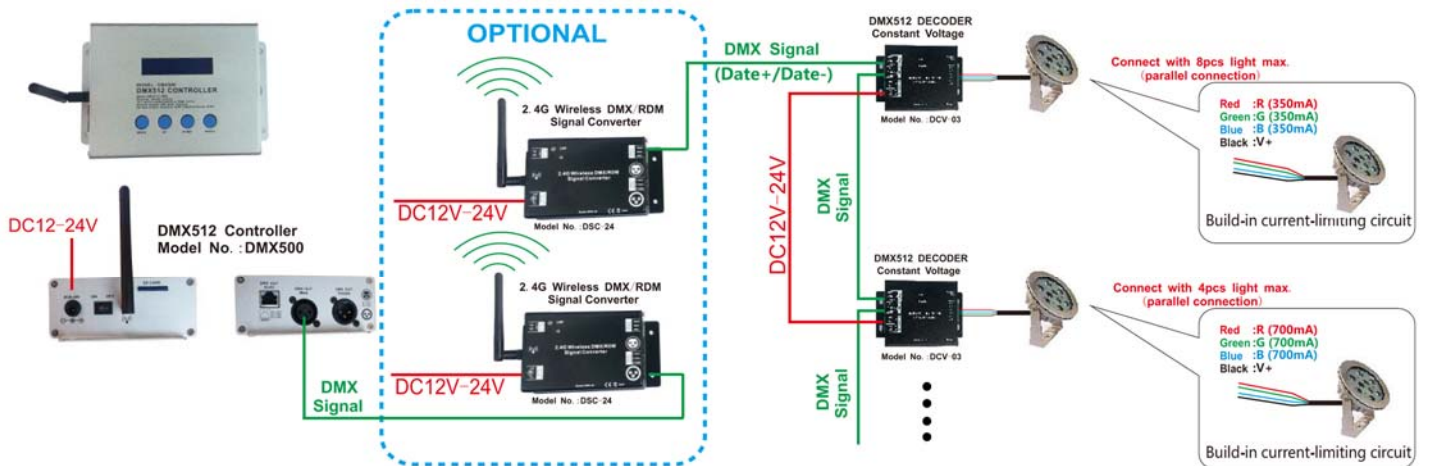
Single color (1)



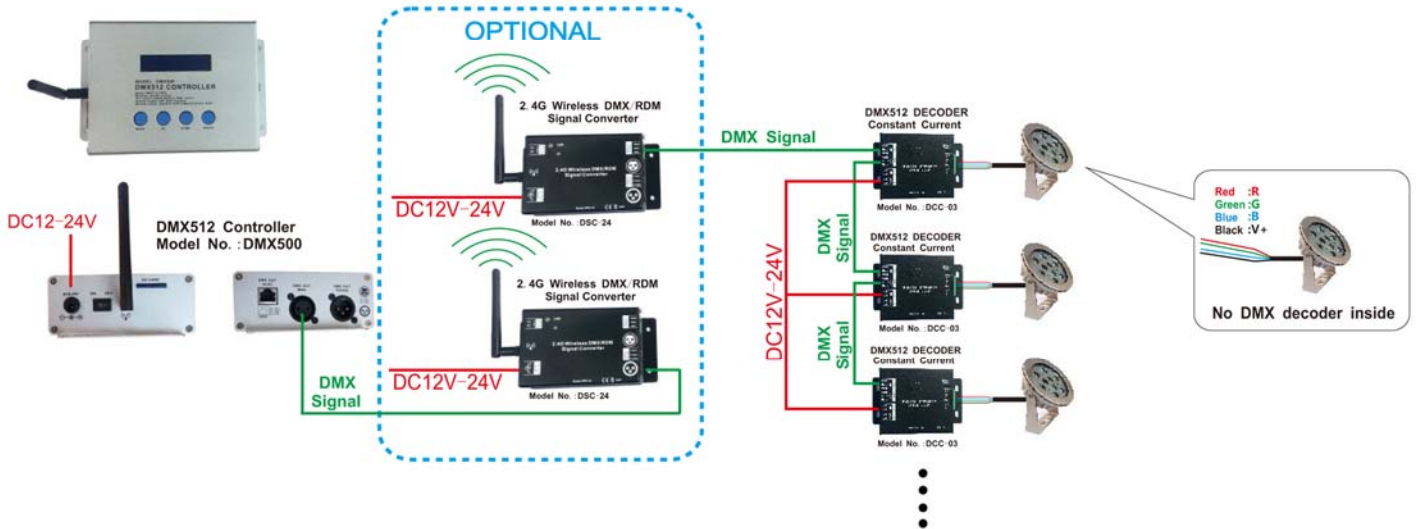
DMX512 (2)



External (3)



External (4)



DMX512 Signal Amplifier (5)

