



FEATURES:

- Surface mounted ZONE-1 & ZONE-2 Explosion Proof luminaire with GRP grid and tempered glass diffuser

Body

- End cap made of die cast aluminium, Iron outer metal sheet.

Reflector

- GRP white reflector

Diffuser

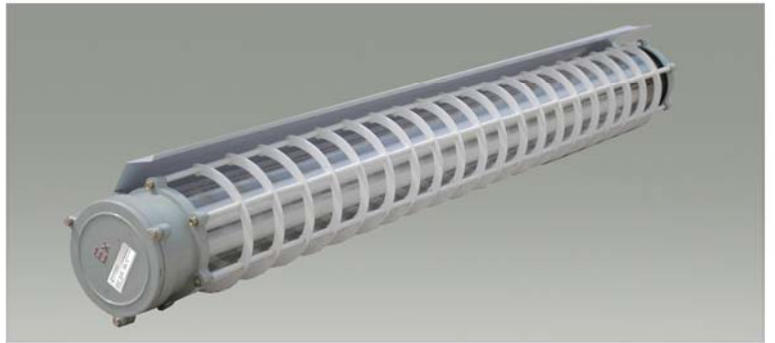
- Tempered safety glass

Others

- ◆ Heat dissipation
- ◆ High efficient SMD LED chip
- ◆ Heat resistant and solid conduct wiring
- ◆ Used for Oil fields, Power plants, Gas stations, Wharf, Tunnel, Military base, Zone I & Zone II Hazardous locations, IIA, IIB, Explosive gas atmosphere.
- ◆ European standard of EN 60598



BRT-XP-(**)



Model No.	L1	L2	W
BRT-XP120	710	635	145
BRT-XP130	1050	940	145
BRT-XP140	1320	1235	145
BRT-XP116	1320	1235	145

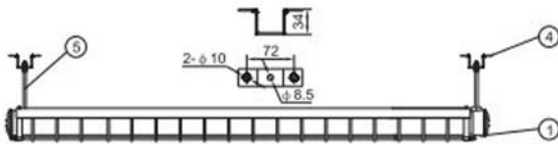
Model No.	L1	L2	W
BRT-XP220	710	635	210
BRT-XP230	1050	940	210
BRT-XP240	1320	1235	210
BRT-XP216	1320	1235	210

Flourescent version order code extension ** - FL

Flourescent version order code extension ** - FL

Model No.	BRT-XP120	BRT-XP130	BRT-XP140	BRT-XP116	BRT-XP220	BRT-XP230	BRT-XP240	BRT-XP216
Power	1x20W LED	1x30W LED	1x40W LED	1x16W LED	2x20W LED	2x30W LED	2x40W LED	2x16W LED
Type of LED	SMD 2835	SMD 2835	SMD 2835	SMD 2835	SMD 2835	SMD 2835	SMD 2835	SMD 2835
Dimension	Dia:145xL:710mm	Dia:145xL:1050mm	Dia:145xL:1320mm	Dia:145xL:1320mm	Dia:210xL:710mm	Dia:210xL:1050mm	Dia:210xL:1320mm	Dia:210xL:1320mm
Voltage	AC90-265V	AC90-265V	AC90-265V	AC90-265V	AC90-265V	AC90-265V	AC90-265V	AC90-265V
Power Factor	>0.95	>0.95	>0.95	>0.95	>0.95	>0.95	>0.95	>0.95
Color Temp.	2700K - 6500K	2700K - 6500K	2700K - 6500K	2700K - 6500K	2700K - 6500K	2700K - 6500K	2700K - 6500K	2700K - 6500K
CRI	≥70	≥70	≥70	≥70	≥70	≥70	≥70	≥70
Luminous Flux	1400LM	2100LM	2800LM	1120LM	2800LM	4200LM	5600LM	2240LM/W
Temp. in Working	-30°C +50°C	-30°C +50°C	-30°C +50°C	-30°C +50°C	-30°C +50°C	-30°C +50°C	-30°C +50°C	-30°C +50°C
Angle	120°	120°	120°	120°	120°	120°	120°	120°
Protection	IP65	IP65	IP65	IP65	IP65	IP65	IP65	IP65
Life Span	50000Hrs							
Model No.	BRT-XP120-FL	BRT-XP130-FL	BRT-XP140-FL	BRT-XP116-FL	BRT-XP220-FL	BRT-XP230-FL	BRT-XP240-FL	BRT-XP216-FL
Power	1x18W FL T8	-	1x36 FL T8	1x36 FL T8	2x18W FL T8	-	2x36W FL T8	2x36W FL T8

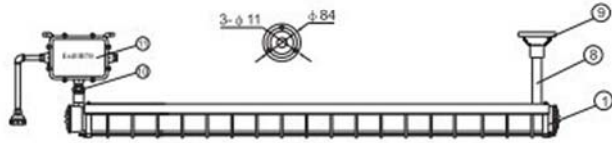
Mounting Type



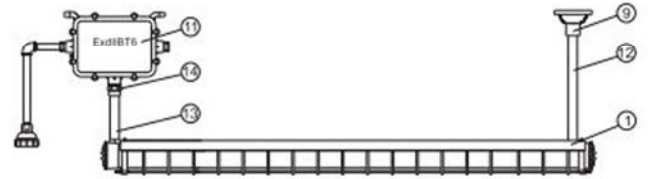
Ceiling Type



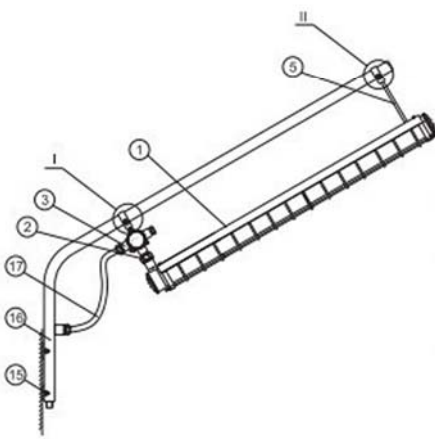
Pendant Type



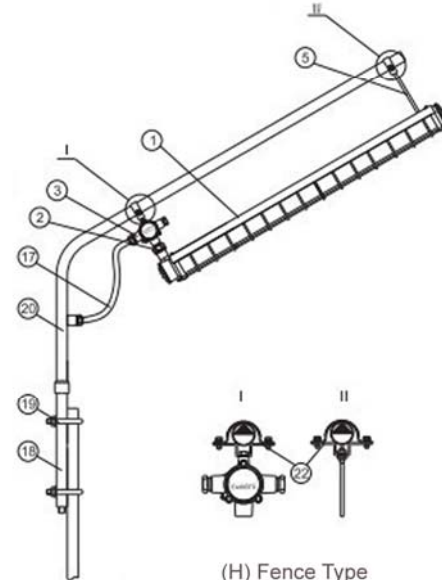
Ceiling Type (With Emergency Unit)



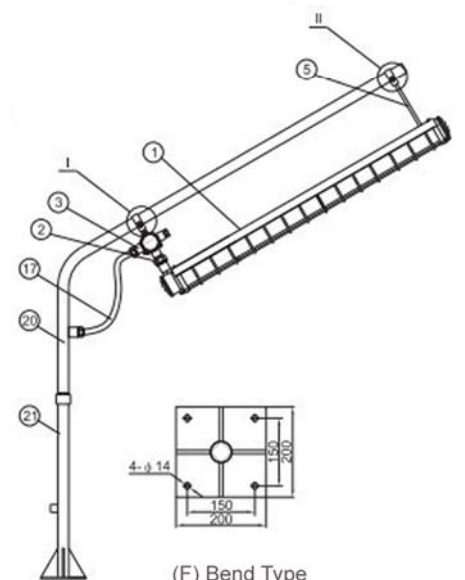
Pendant Type (With Emergency Unit)



(W) Bend Type



(H) Fence Type

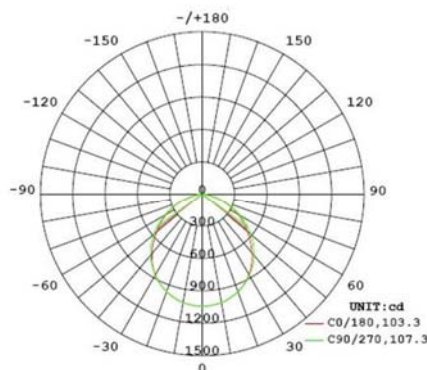


(F) Bend Type

Photometric Data

Luminous Intensity Distribution

	Beam Angle (50% I _{max}):	Field Angle (10% I _{max}):
C0/180	103.3	152.9
C45/225	106.6	153.8
C90/270	107.3	155.8
C135/315	106.5	153.5
AVG.	105.9	154.0



Angle: 105.9° · Flux out: 1958.0 lm.



Height (m)	Diameter (cm)	E _{avg} (lx)	E _{max} (lx)
0.5	132.46	1416.0	4173.0
1.0	264.93	353.9	1043.0
1.5	397.39	157.3	463.6
2.0	529.86	88.5	260.8
2.5	662.32	56.6	166.9
3.0	794.78	39.3	115.9
3.5	927.25	28.9	85.2
4.0	1059.71	22.1	65.2
4.5	1192.17	17.5	51.5
5.0	1324.64	14.2	41.7