

DESCRIPTION

- Street lighting LED luminaire
- Body Made of die-cast aluminium with polyester powder coating
- Aluminium heat sink
- Waterproof IP66 standard
- External aluminium frame
- Philips replacable LED module
- High quality Electronic isolated drive, IP65
- Adjustable mounting bracket.

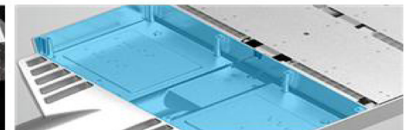
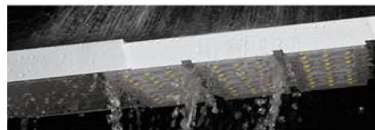
OTHERS

- ◆ Meanwell Drive
- ◆ Storage Temperature: 40~80°C
- ◆ Operating Temperature: -20~+60°C
- ◆ High Corrosion resistant capability
- ◆ Ideal for external street lighting
- ◆ European standard of EN 60598

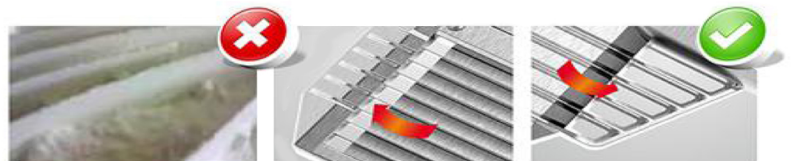
IP66



CPS3030-(**)



Waterproof testing, IP65 quickly leading water flow, even heavy rain separate driver box design, improve Power efficiency and stability. No heat influence from LEDs



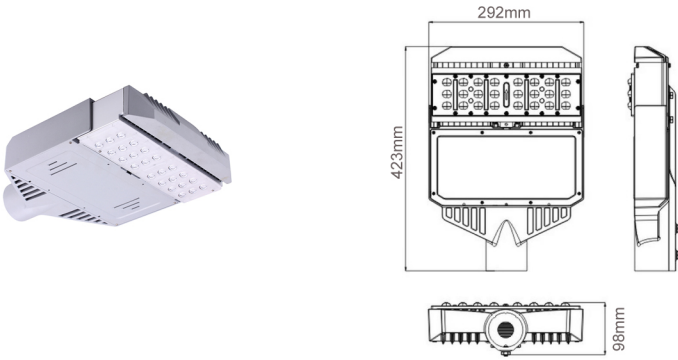
Special Module and Channel Design, Anti- dust and leading water flow



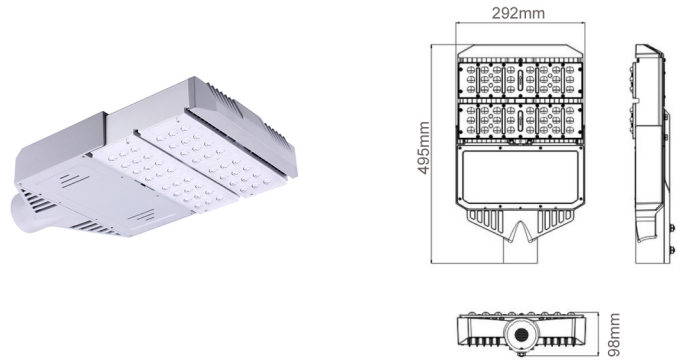
Super thin, Silver Color, high efficiency heat dissipation structure design, small size and light weight, easy to install and transport

Model	CPS3030-50W	CPS3030-100W	CPS3030-150W	CPS3030-200W	CPS3030-250W	CPS3030-300W	CPS3030-350W	CPS3030-400W
Power	50W	100W	150W	200W	250W	300W	350W	400W
LED Type	CREE 3535	CREE 3535	CREE 3535	CREE 3535	CREE 3535	CREE 3535	CREE 3535	CREE 3535
Luminous Flux	100-130LM/W	100-130LM/W	100-130LM/W	100-130LM/W	100-130LM/W	100-130LM/W	100-130LM/W	100-130LM/W
Voltage	AC90-305V	AC90-305V	AC90-305V	AC90-305V	AC90-305V	AC90-305V	AC90-305V	AC90-305V
CRI	>75	>75	>75	>75	>75	>75	>75	>75
Color Temp.	3000K - 7000K	3000K - 7000K	3000K - 7000K	3000K - 7000K	3000K - 7000K	3000K - 7000K	3000K - 7000K	3000K - 7000K
Power Factor	≥0.9	≥0.9	≥0.9	≥0.9	≥0.9	≥0.9	≥0.9	≥0.9
Working Temp.	-20 + 40° C	-20 + 40° C	-20 + 40° C	-20 + 40° C	-20 + 40° C	-20 + 40° C	-20 + 40° C	-20 + 40° C
Driver	Meanwell / Sosen							
Beam Angle	70°145° / 55°120°							
Life Span	50000Hrs							
Protection	IP66							
Size	292x423x98mm	292x495x98mm	292x587x98mm	292x679x98mm	292x771x98mm	292x863x98mm	292x955x98mm	292x1047x98mm
Warranty Period	Five Years							

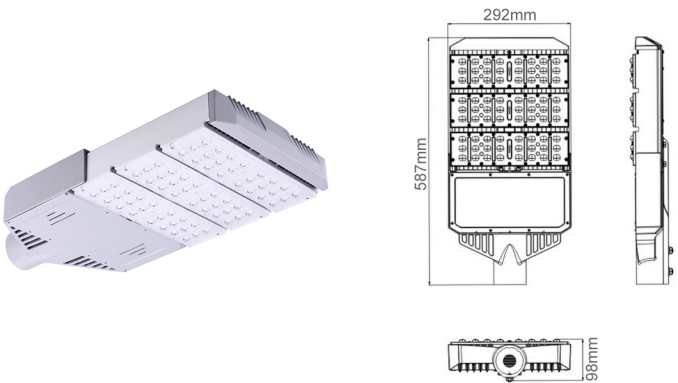
CPS3030-50W



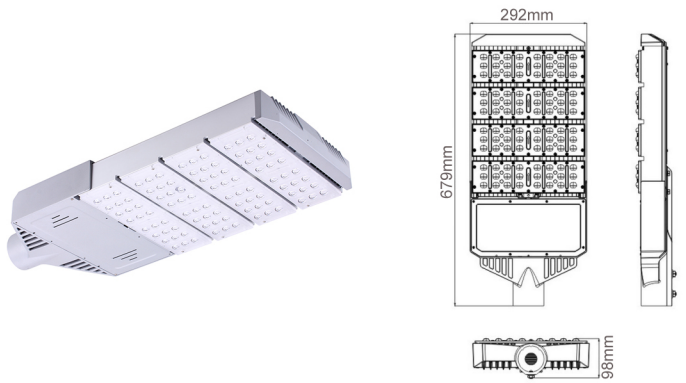
CPS3030-100W



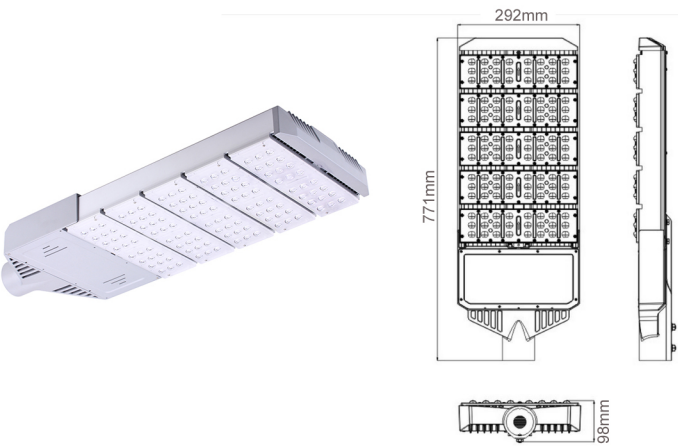
CPS3030-150W



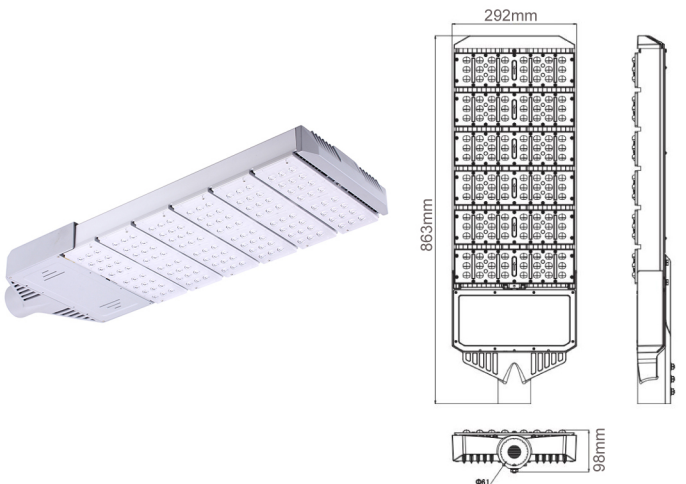
CPS3030-200W



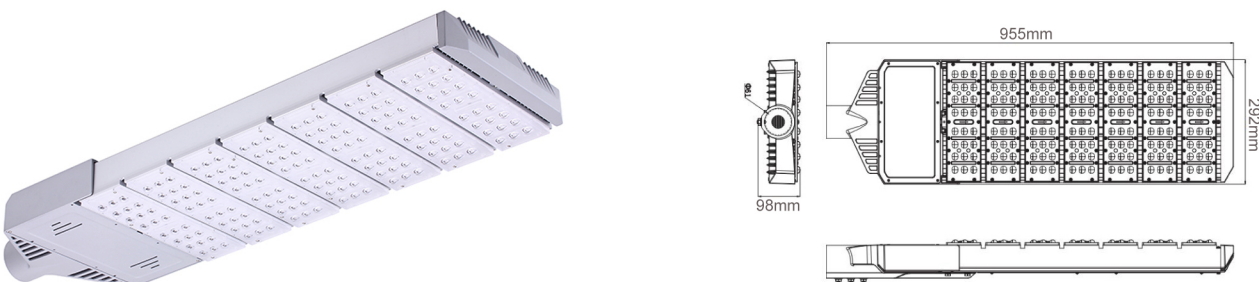
CPS3030-250W



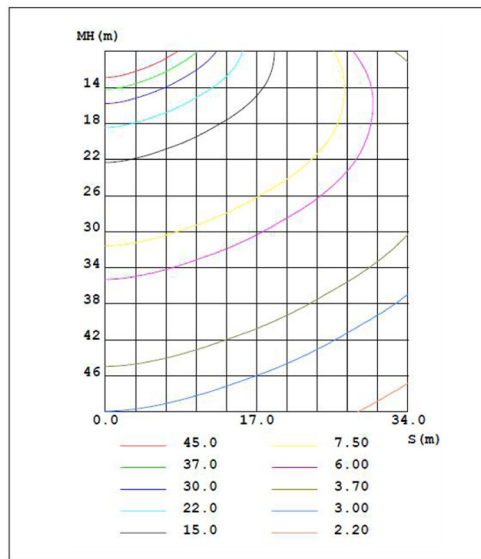
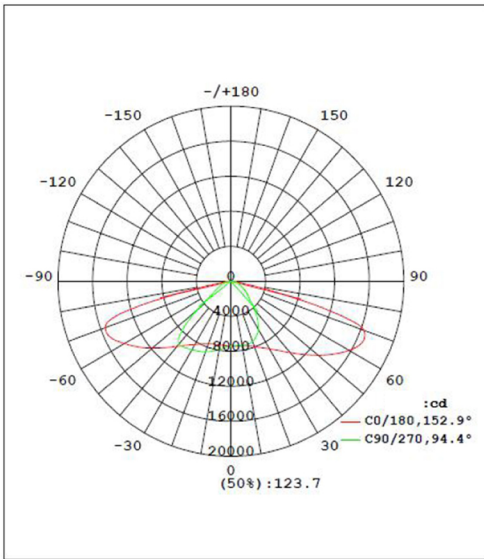
CPS3030-300W



CPS3030-350W / CPS3030-400W



PHOTOMETRIC DATA



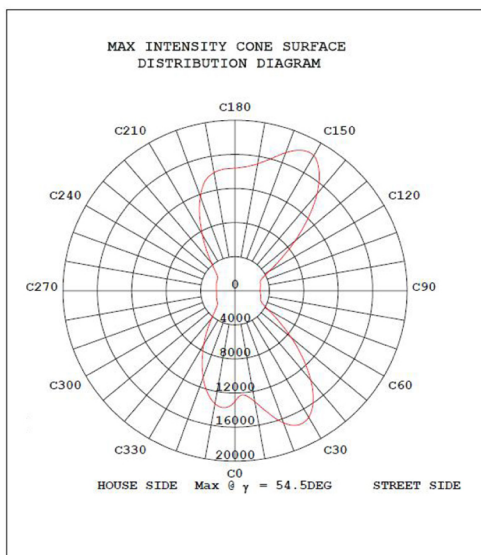
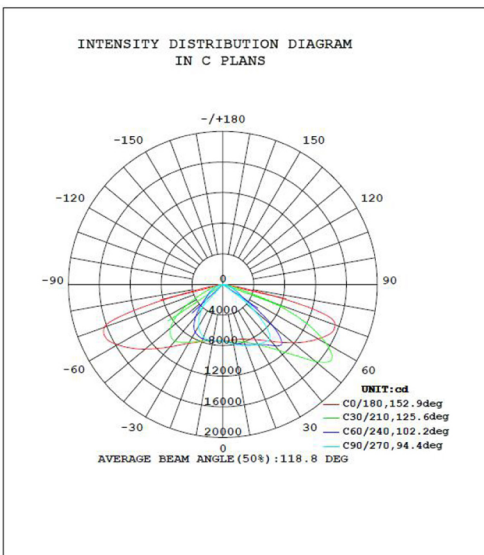
CPS3030-50W



CPS3030-100W



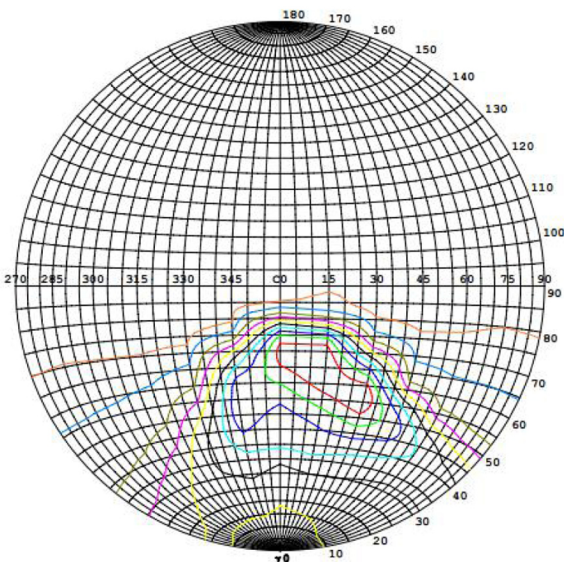
CPS3030-150W



CPS3030-200W



CPS3030-250W



IES: II
CIE:
IES:
CIE:
Max. At 80: 185.1cd/klm
Max. At 90: 20.12cd/klm
Max. 80-90: 185.1cd/klm
NRB 5101: Non limited [37.5%]

	cd
I _{max} =100%	10389
90%	9350
80%	8311
70%	7272
60%	6234
50%	5195
40%	4156
30%	3117
20%	2078
10%	1039
5%	519



CPS3030-300W



CPS3030-350W