



DESCRIPTION

- Pole mounted LED luminaire
- Made of die-aluminium with polyester powder coating

DIFFUSER

- Made of tempered glass

REFLECTOR

- Made of white fiber glass with builtin LED

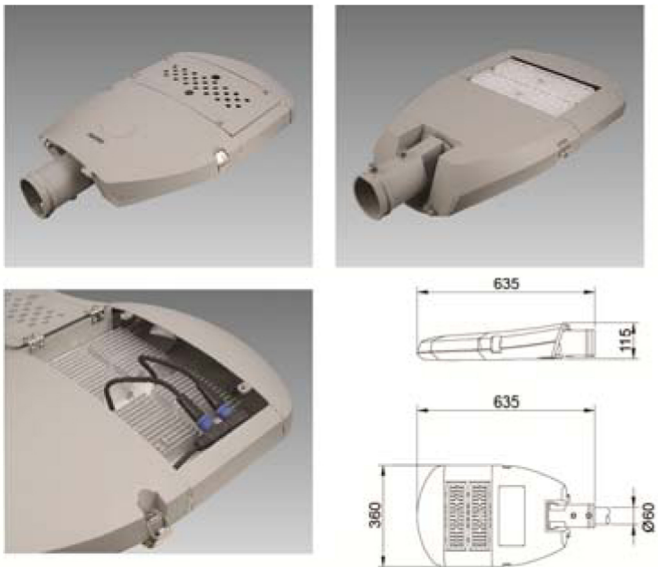
Others

- ◆ High Corrosion resistant capability
- ◆ Philips LEDs
- ◆ Storage Temperature: 40~80°C
- ◆ Operating Temperature: -20~+60°C
- ◆ Ideal for external street lighting
- ◆ European standard of EN 60598

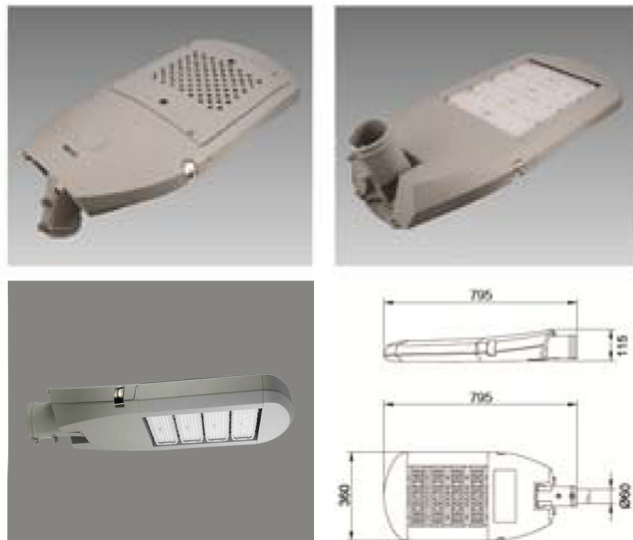


Model	BTPH-100	BTPH-125	BTPH-150	BTPH-175	BTPH-200	BTPH-225	BTPH-250
LED Max Power	100W	125W	150W	175W	200W	225W	250W
LED Type	Philips	Philips	Philips	Philips	Philips	Philips	Philips
Voltage	200-240VAC	200-240VAC	200-240VAC	200-240VAC	200-240VAC	200-240VAC	200-240VAC
Driver	Inventronics	Inventronics	Inventronics	Inventronics	Inventronics	Inventronics	Inventronics
Luminous Flux	100LM/W	95LM/W	95LM/W	95LM/W	95LM/W	95LM/W	95LM/W
CRI	>80	>80	>80	>80	>80	>80	>80
Color Temp.	4000/5000/5700K	4000/5000/5700K	4000/5000/5700K	4000/5000/5700K	4000/5000/5700K	4000/5000/5700K	4000/5000/5700K
Working Temp.	-20~+60	-20~+60	-20~+60	-20~+60	-20~+60	-20~+60	-20~+60
Life Span	50000Hrs	50000Hrs	50000Hrs	50000Hrs	50000Hrs	50000Hrs	50000Hrs
Protection	IP67	IP67	IP67	IP67	IP67	IP67	IP67
Size	635*360*60mm	635*360*60mm	715*360*60mm	715*360*60mm	705*360*60mm	705*360*60mm	875*360*60mm
Warranty Period	Five Years						

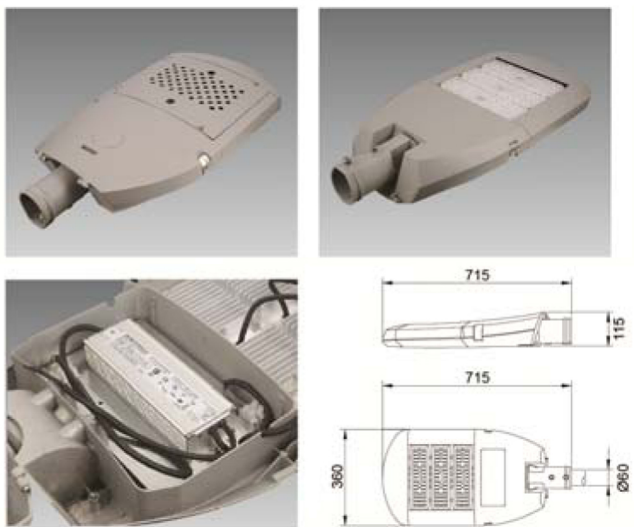
BTPH-2



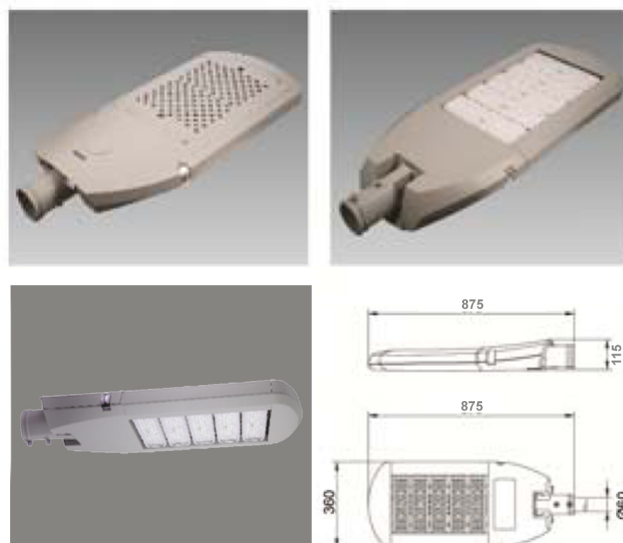
BTPH-4



BTPH-3



BTPH-5



BTPH-2

BTPH-3

BTPH-4

BTPH-5

